



CLADDING LIFTER

MODEL: MTCL6625DC3

Install roof and wall panels easily with this versatile lifter from Wood's Powr-Grip, capable of handling loads up to 700 lbs (320 kg).

Adjustable Vacuum Pads

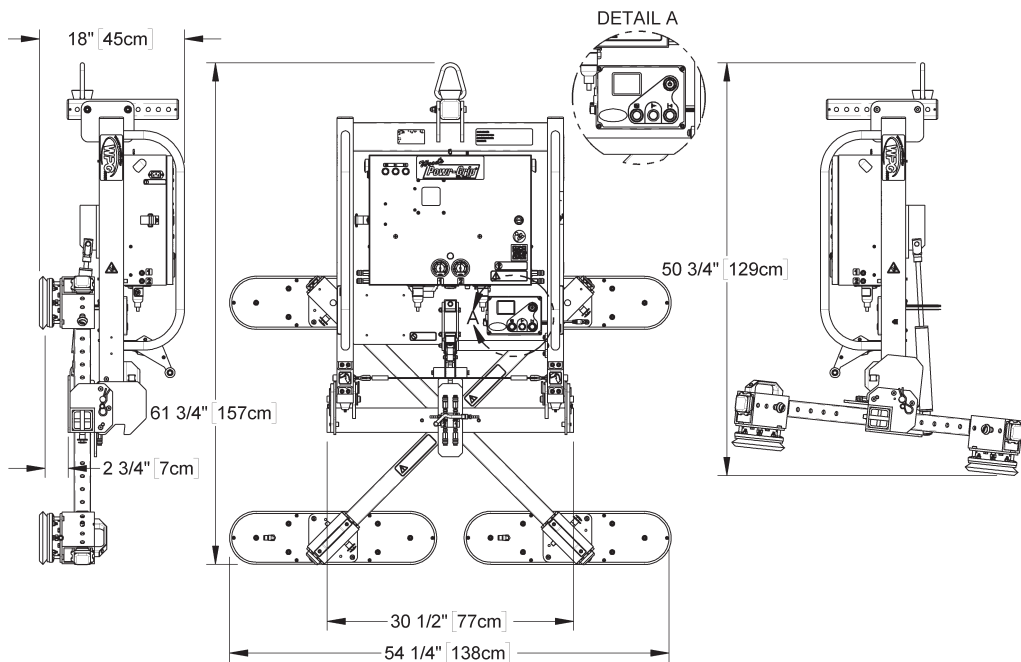
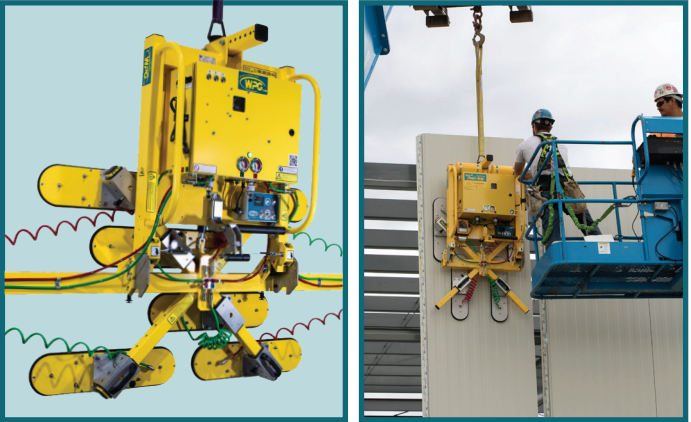
Get the best grip on loads of various shapes and sizes by moving pad mounts as needed.

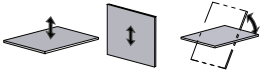
Pad Frame Extensions

Install tool-free for jobs that require handling extra-long panels!

Intelli-Grip[®] Technology

This WPG-exclusive technology oversees power and vacuum systems, increasing productivity and improving safety. Download the Intelli-Grip App to monitor the lifter from a distance!



Model	MTCL6625DC3
Maximum Load Capacity	600–700 lbs [270–320 kg] (variable - see page 3)
Standard Pad Spread	Minimum Width: 17" [43 cm] Maximum Width: 56" [142 cm] Minimum Length: 37" [94 cm] Maximum Length: 195-3/4" [497 cm]
Number/Size of Vacuum Pads	4-6 (variable) / 6" x 25" [15 cm x 64 cm]
Lifter Weight	360 lbs [164 kg] (maximum) (245 lbs [112 kg] w/out pad frame extensions. See page 3.)
Load Movement	Manual tilt, 90° between upright and flat, with hydraulic damping and automatic latching in the upright and flat positions (when desired) 
Standard Operating Power	12 volts DC, 10 amps

STANDARD FEATURES

Intelli-Grip® Technology

Available exclusively from Powr-Grip®! Actively monitors power and vacuum systems to increase safety and productivity, using LCD-screen messages, diagnostic codes and other features

Dual Vacuum System

Features two independent air-line circuits to reduce risk of workplace accidents

Battery and Charger

Provide independent, rechargeable power source for cord-free lifter operation in any location; on-board charger features status indicator and automatic shut-off

Battery Gauge

Shows energy level in real time, to help determine when charging is needed

Notification Buzzer and Strobe Light

Alert operator of problems with power or vacuum system, with various patterns of sound and light to indicate severity; back-up battery provides independent power for buzzer

Green Lift Light

Provides visual assurance to know when vacuum is sufficient for lifting

Vacuum Gauges

Feature green and red zones to clearly indicate whether vacuum levels are sufficient for lifting

Vacuum Line Filters

Protect the vacuum generating system from contaminants

Vacuum Reserve Tanks

Increase battery run-time by reducing pump cycles needed to maintain vacuum

Spring-Mounted Vacuum Pads

Automatically adjust to match the angle of load surfaces, easing attachment

Sliding Pad Mounts

Accommodate various load sizes by sliding to different locations on the pad frame. These mounts can also be rotated or removed, when necessary

Pad Frame Extensions

Connect without tools to support roof panels up to 60' [18 m]

Replaceable Pad Seals

Accommodate high ribs, standing seams and panel contours up to 3/8" [10 mm] in depth

Two-Action, Blow-Off Release

Uses two separate buttons to avoid accidental release, and reverses airflow to quickly release loads without after-stick

AVAILABLE OPTIONS

Remote Control System

Controls attach, release and other powered functions up to 250' [76 m] away for installing insulated metal panels in multi-story buildings

VPFS10T Conversion Kit (58371AA)

Enables VPFS625 equipped lifters to use VPFS10T vacuum pads (10" [25 cm] diameter with replaceable sealing rings)

Alternative Pad Compounds

Specially designed for heat resistance, marking resistance, coated surfaces and other purposes

DESIGN STANDARDS

ASME B30.20 (BTH-1 Design Category "B", Service Class "0"): Industry standards established by the American Society of Mechanical Engineers (ASME) and published by the American National Standards Institute (ANSI)

CE: Regulatory standards for health and safety required in the European Union

Based on product information at time of publication. Environmental conditions can affect product performance and longevity; consult the product instructions on WPG.com or contact a Technical Sales Representative for more information.

