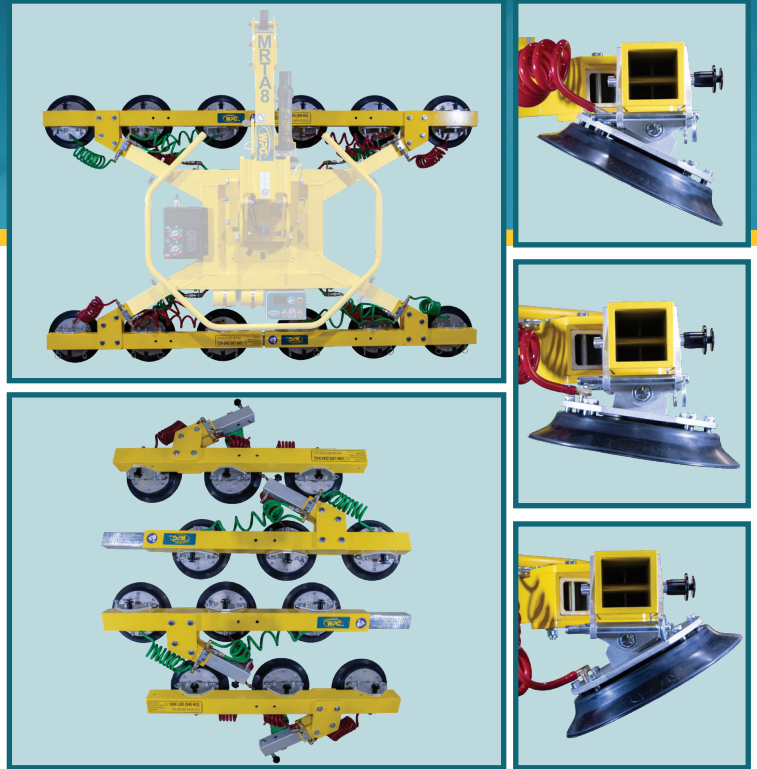


# CURVED-GLASS PAD FRAME ADAPTER

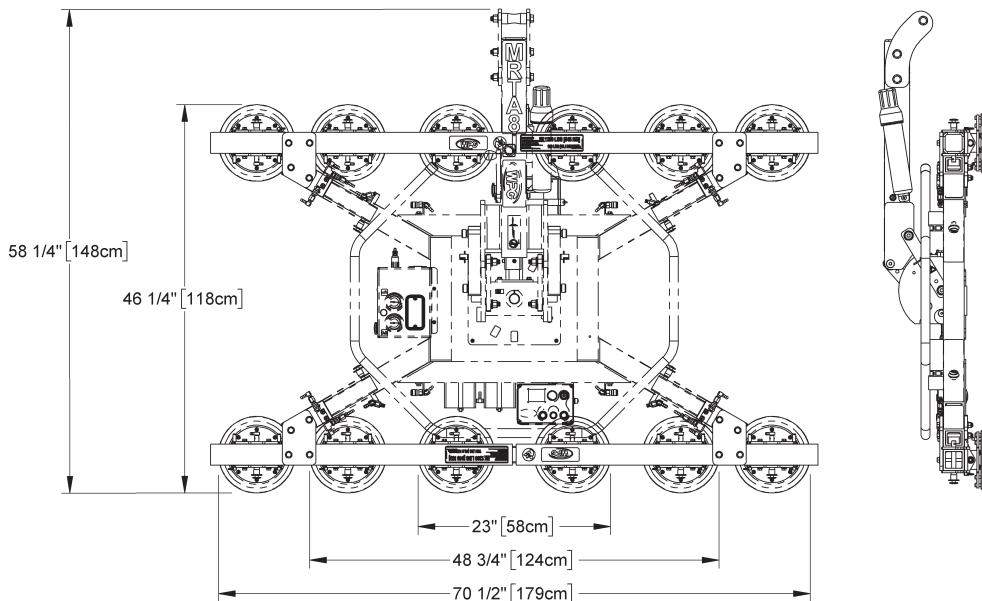
STOCK: 93720

Enables MRTA8-DC3 lifters to handle convex or concave loads



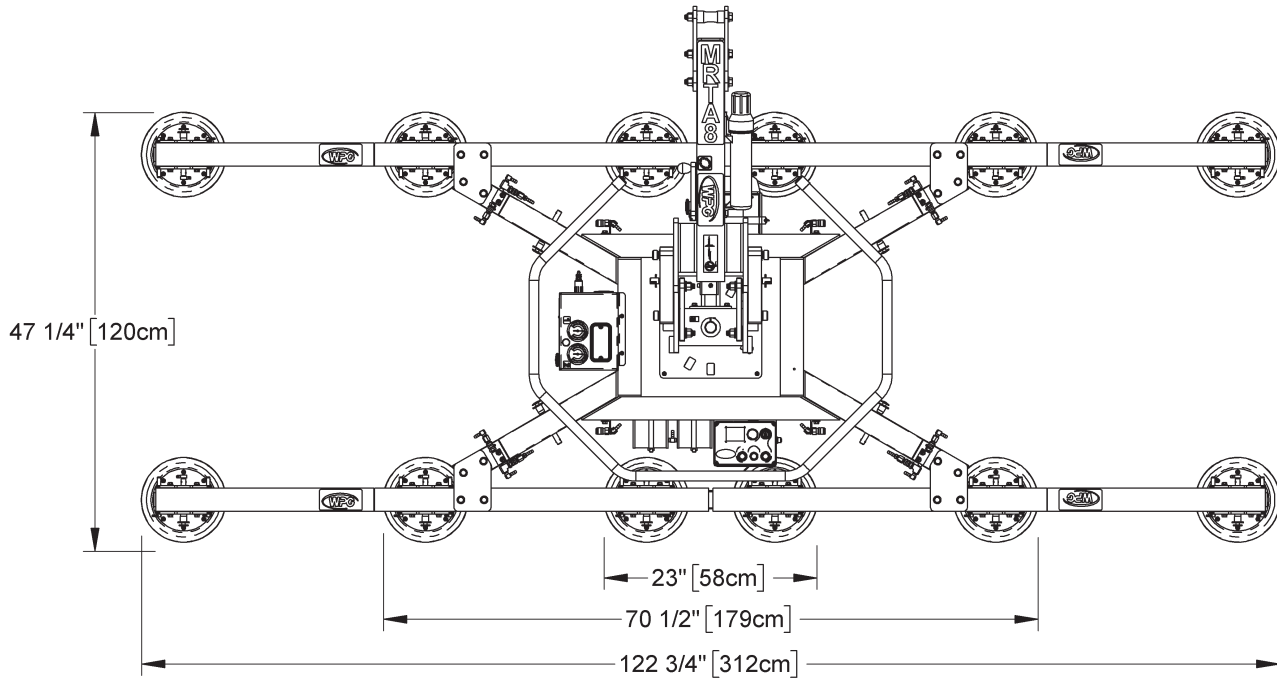
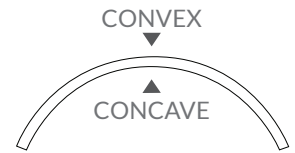
## Get the best grip on convex or concave glass and other materials!

- Pivoting pad mounts easily match the angle of loads.
- One operator can install the adapter without assistance.
- Provides a 2" [5 cm] offset from the load, when needed to accommodate curvature.
- Makes use of existing extension arms to support long load dimensions.



Model MRTA811LDC3 vacuum lifter shown equipped with Curved-Glass Pad Frame Adapter

<b>Stock</b>	93720
<b>Maximum Load Capacity</b>	1,200 lbs [545 kg]
<b>Minimum Concave Radius</b>	44 inches [112 cm]
<b>Minimum Convex Radius</b>	60 inches [152 cm]



Model MRTA811LDC3 vacuum lifter shown equipped with Pad Arm Extensions and Curved-Glass Pad Frame Adapter



Based on product information at time of publication. Environmental conditions can affect product performance and longevity; consult the product instructions on WPG.com or contact a Technical Sales Representative for more information.