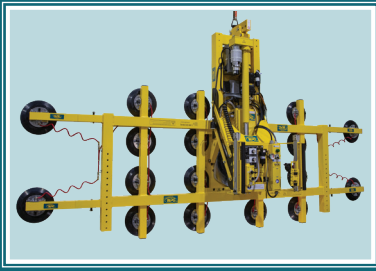
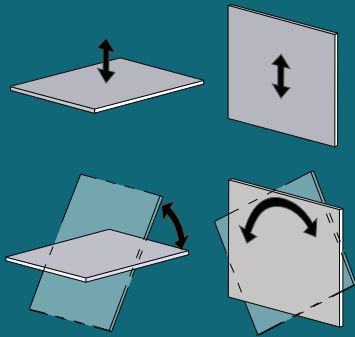


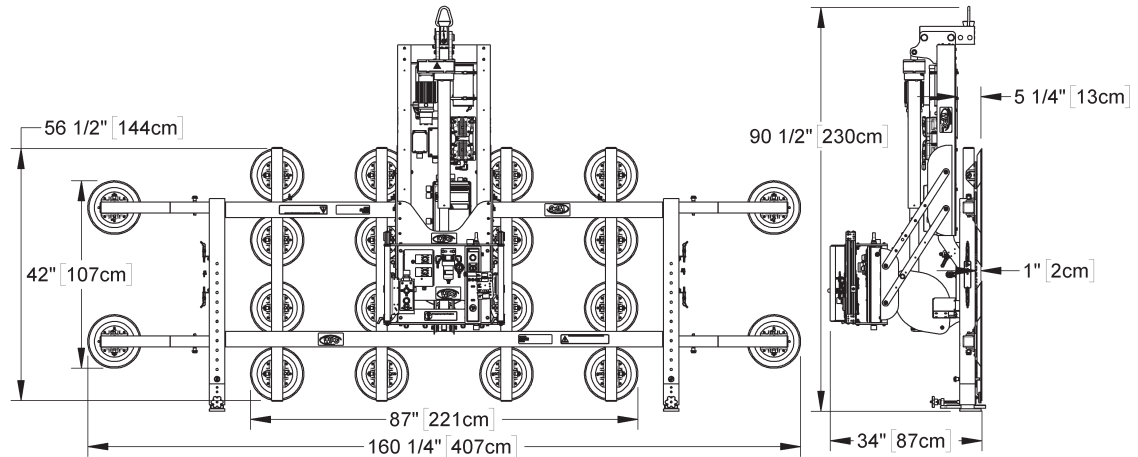
WOOD'S POWR-GRIP® MANUAL ROTATOR/POWER TILTER 3000



MRPT2011LACS
3000 lbs [1360 kg]



Designed for use with a crane or other hoisting equipment, the MRPT20 lifter employs vacuum to hold a load for lifting, and improved manual 360° rotation and powered 90° tilt movements for load manipulation.



**THE ORIGINAL
& TRUSTED NAME
IN VACUUM LIFTING
EQUIPMENT**

800.548.7341
WPG.com

908 West Main - P.O. Box 368
Laurel, Montana 59044 U.S.A.
406.628.8231 (phone)
406.628.8354 (fax)



Wood's Powr-Grip products are sold through authorized dealers.

Rev. 0.0 / 01-19 Spec. Sheet **8-16**

Maximum Load Capacity	3000 lbs [1360 kg]
Load Movement	Manual 360° rotation, with automatic locking at every 18° Powered 90° tilt, with adjustable electronic speed controller
Standard Operating Power	120 volts AC, 60 hertz, 12 amps
Standard Features	Green lift light Movable control pendant Vacuum gauge Vacuum reserve tank Vacuum line filter Spring-mounted vacuum pads Twist-lock electrical plug Blow-off for quick release High-duty tilt with speed control
Available Options	12-Volt/DC vacuum back-up system (93756FM) Vacuum loss warning buzzer (93780BM) Voltage adaptation (95530 & 95530AM) Individual pad shutoffs (93011) Pad shutoffs kit with individual gauges (special order) Interchangeable pad frames Alternative pad compounds, including ones for low-marking, temperature resistant and coated surface applications (special order)
Tilt Duty	150 tilts per hour
Time for 90° Tilt	20-30 seconds (approximately)
Lifter Weight	830 lbs [377 kg]
Standard Pad Spread	Maximum 56-1/2" x 160-1/4" [144 x 407 cm] Minimum: 56-1/2" x 87" [144 x 221 cm]
Number / Size of Pads	20 / 11" [28 cm] diameter, lipped vacuum pads (G3370)
Design Standards	ASME B30.20 (BTH-1 Design Category "B", Service Class "0") (See www.WPG.com for more information.)

Based on product information at time of publication. Environmental conditions can affect product performance and longevity; consult the product instructions on WPG.com or contact a Technical Sales Representative for more information.