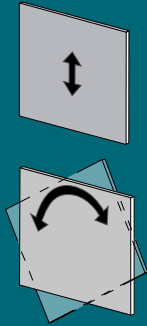


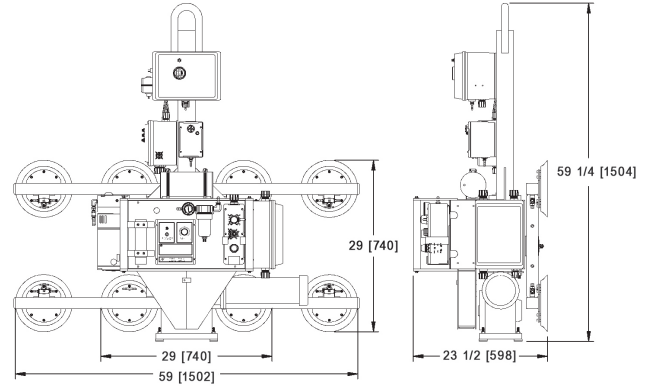
WOOD'S POWR-GRIP® POWER ROTATORS 1000



PR89ACS
PR8HV11ACS
1000 lbs [455 kg]



These Powr-Grip® vacuum lifters combine powered 360° rotation, adjustable rotation speed and fast attach/release times, making them ideal for high-output production lines.



	PR89AC	PR8HV11ACS
Maximum Load Capacity	1000 lbs [455 kg]	
Standard Operating Power	120 volts AC, 60 hertz, 12 amps	
Load Movement	Power rotation, 360° edgewise, with adjustable speed control.	
Standard Features	Green lift light Movable control pendant Vacuum gauge Vacuum reserve tank Vacuum line filter Spring-mounted pads Twist-lock electrical plug Blow-off for quick release	
Available Options	Voltage adaptation (93032 & 93032AM) Movable control pendant Vacuum loss warning buzzer (93780AM) 12-Volt/DC vacuum back-up system Interchangeable pad frames Removable pad arms Individual pad shutoffs (93011) C-Frame lift bar Adjustable vertical handles (special order)	
Lifter Weight	496 lbs [225 kg]	
Maximum Rotation Speed	Full turn, 7 seconds (approximately)	
Minimum Rotation Speed	Full turn, 30 seconds (approximately)	
Attach	4 seconds (approximately)	6 seconds (approximately)
Release	3 seconds (approximately)	5 seconds (approximately)
Standard Pad Spread	29" x 59" [740 x 1502 mm]	31" x 61" [788 x 1549 mm]
Number / Size of Pads	8 / 9" [23 mm] diameter	8 / 10" [25 cm] dia. lipped
Design Standards	ASME B30.20 (BTH-1 Design Category "B", Service Class "0") (See www.WPG.com for more information.)	



**THE ORIGINAL
& TRUSTED NAME
IN VACUUM LIFTING
EQUIPMENT**

800.548.7341
WPG.com

908 West Main - P.O. Box 368
Laurel, Montana 59044 U.S.A.
406.628.8231 (phone)
406.628.8354 (fax)

Wood's Powr-Grip products are sold through authorized dealers.

Based on product information at time of publication. Environmental conditions can affect product performance and longevity; consult the product instructions on WPG.com or contact a Technical Sales Representative for more information.