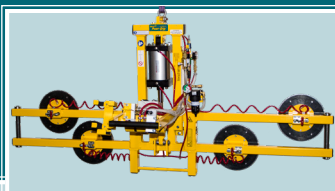
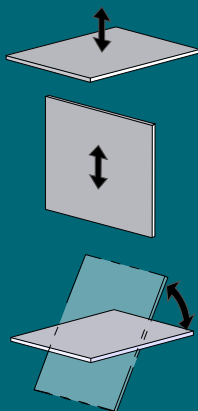


# WOOD'S POWR-GRIP® POWER TILTER 600 SERIES



**PT410TAIR  
PT410AC**  
600 lbs [270 kg]



**THE ORIGINAL  
& TRUSTED NAME  
IN VACUUM LIFTING  
EQUIPMENT**

**800.548.7341  
WPG.com**

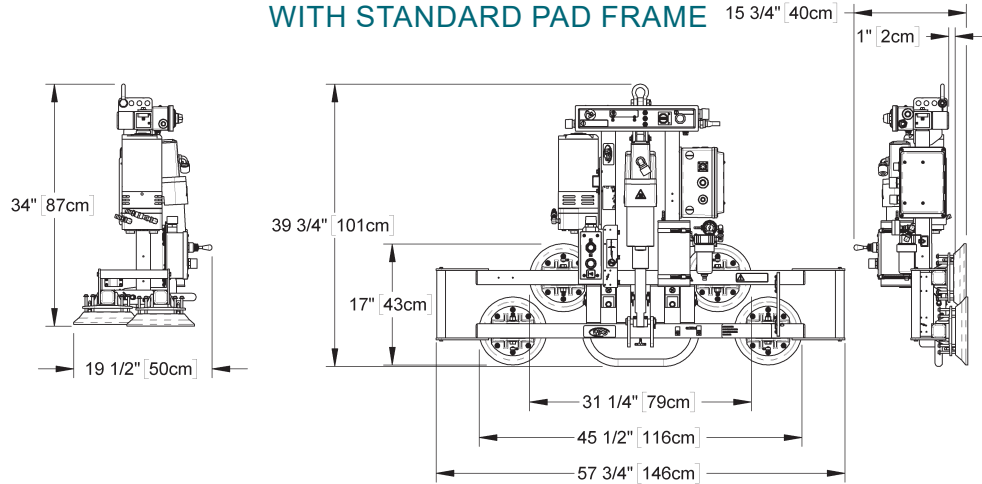
908 West Main - P.O. Box 368  
Laurel, Montana 59044 U.S.A.  
406.628.8231 (phone)  
406.628.8354 (fax)

Equipped with powered 90° tilt, these vacuum lifters from Wood's Powr-Grip® offer maximum versatility for handling stone and other high-density materials, or for removing and installing windshields.

	<b>PT410TAIR (97090)</b>	<b>PT410AC (97095)</b>
<b>Maximum Load Capacity</b>	<b>600 lbs [270 kg]</b>	
<b>Load Movement</b>	Power tilt, 90° between upright and flat	
<b>Standard Operating Power</b>	Compressed Air, 8 SCFM [227 liters/min] @ 80 psi [552 kPa]	120 volts AC, 60 hertz, 10 amps
<b>Standard Features</b>	Multi-position lift shackle Vacuum gauge Vacuum reserve tank Vacuum line filter Sliding adjustable pad mounts Spring-mounted vacuum pads Individual shutoffs to all vacuum pads Blow-off for quick release	Multi-position lift shackle Movable control pendant Green lift light Vacuum gauge Vacuum reserve tank Vacuum line filter Spring-mounted vacuum pads Twist-lock electrical plug Blow-off for quick release
<b>Available Options</b>	<ul style="list-style-type: none"> <li>• Vacuum loss warning buzzer (93780AM)</li> <li>• Alternative pad compounds, including ones for low-marking, temperature resistant and coated surface applications (special order)</li> <li>• Alternative pad frame dimensions and configurations (special order)</li> </ul>	<ul style="list-style-type: none"> <li>• Vacuum loss warning buzzer (93780BM)</li> <li>• Individual pad shutoffs (93011)</li> <li>• Voltage adaptation (93032 &amp; 93032AM)</li> <li>• Alternative pad compounds, including ones for low-marking, temperature resistant and coated surface applications (special order)</li> <li>• Alternative pad frame dimensions and configurations (special order)</li> </ul>
<b>Lifter Weight</b>	153 lbs [70 kg]	165 lbs [75 kg]
<b>Attach</b>	6 seconds (approximately)	10 seconds (approximately)
<b>Release</b>	3 seconds (approximately)	6 seconds (approximately)
<b>Time for 90° Tilt</b>	10 seconds (approximately)	7 seconds (approximately)
<b>Tilt Duty</b>	Continuous	81 tilts per hour
<b>Standard Pad Spread</b>	Length: Min: 35¾" [91 cm], Max: 83½" [212 cm] Width: 19¾" [50 cm]	17" x 45½" [43 x 116 cm]
<b>Number / Size of Pads</b>	4 / 10" [25 cm] diameter with replaceable sealing rings	4 / 10" [25 cm] diameter concave
<b>Design Standards</b>	ASME B30.20 (BTH-1 Design Category "B", Service Class "0") (See www.WPG.com for more information.)	

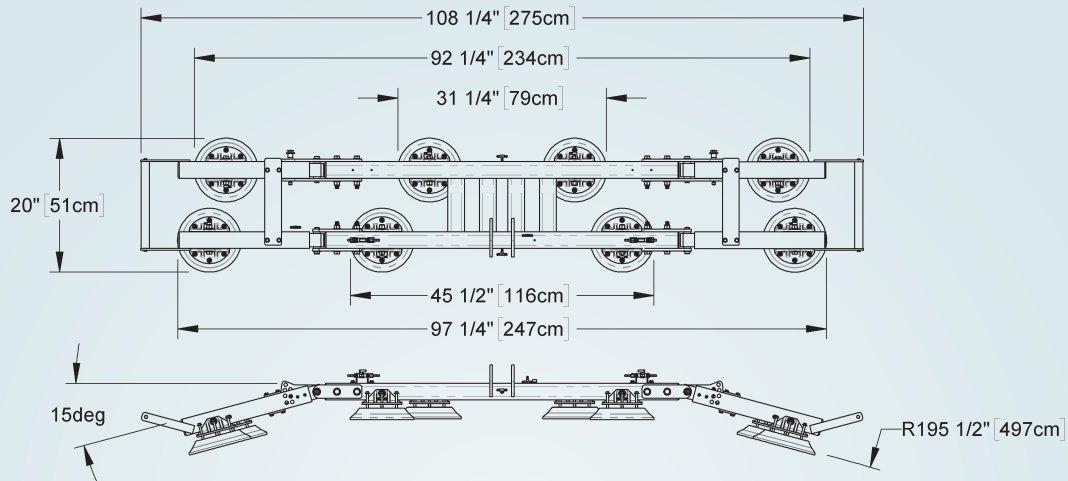
Based on product information at time of publication. Environmental conditions can affect product performance and longevity; consult the product instructions on WPG.com or contact a Technical Sales Representative for more information.

PT410AC (97095)  
 WITH STANDARD PAD FRAME 15 3/4" [40cm]

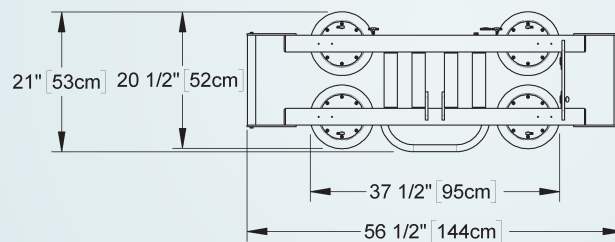


## ALTERNATE PAD FRAME CONFIGURATIONS

### CURVED SURFACE PAD FRAME



### COMPACT FIXED PAD FRAME



### SLIDING ADJUSTABLE PAD FRAME

