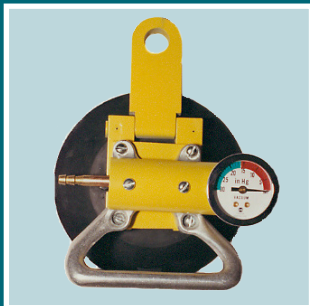
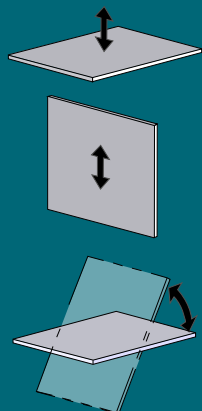


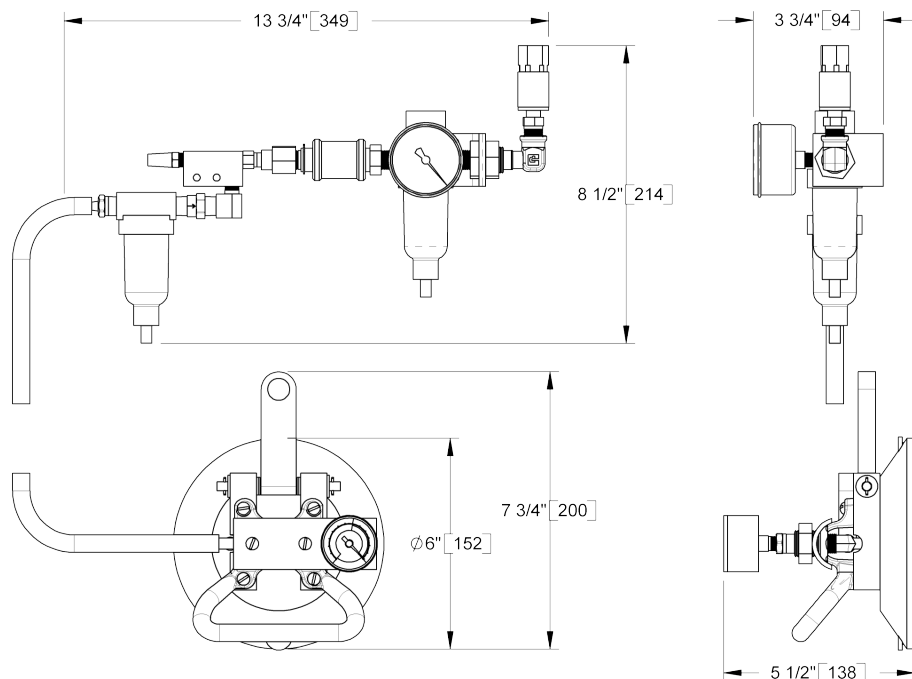
# WOOD'S POWR-GRIP® MANUAL TILTER 50



**MT1TL6FAIR**  
50 lbs [23 kg]



Designed to use an existing compressed air supply, this Powr-Grip® vacuum lifter features 90° tilt for economical and efficient handling of small loads on the production line.



<b>Maximum Load Capacity</b>	<b>50 lbs [23 kg]</b>
<b>Load Movement</b>	Manual tilt, 90° between upright and flat
<b>Standard Operating Power</b>	Compressed air, 2 SCFM [57 liters/minute] @ 80 psi [550 kPa]
<b>Standard Features</b>	Vacuum gauge Vacuum line filter
<b>Standard Pad Spread</b>	6" x 6" [152 x 152 mm]
<b>Apply</b>	1 seconds (approximately)
<b>Release</b>	2 seconds (approximately)
<b>Number / Size of Pads</b>	6" [15 cm] diameter
<b>Lifter Weight</b>	5 lbs [3 kg] (without power system)
<b>Vacuum System Weight</b>	5 lbs [3 kg]
<b>Design Standards</b>	ASME B30.20 (BTH-1 Design Category "B", Service Class "0") (See <a href="http://www.WPG.com">www.WPG.com</a> for more information.)

Based on product information at time of publication. Environmental conditions can affect product performance and longevity; consult the product instructions on [WPG.com](http://WPG.com) or contact a Technical Sales Representative for more information.



**THE ORIGINAL  
& TRUSTED NAME  
IN VACUUM LIFTING  
EQUIPMENT**

**800.548.7341**  
**WPG.com**

908 West Main - P.O. Box 368  
Laurel, Montana 59044 U.S.A.  
406.628.8231 (phone)  
406.628.8354 (fax)

Wood's Powr-Grip products are sold through authorized dealers.