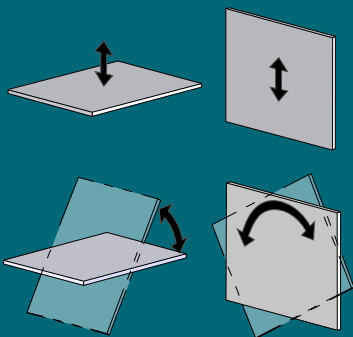


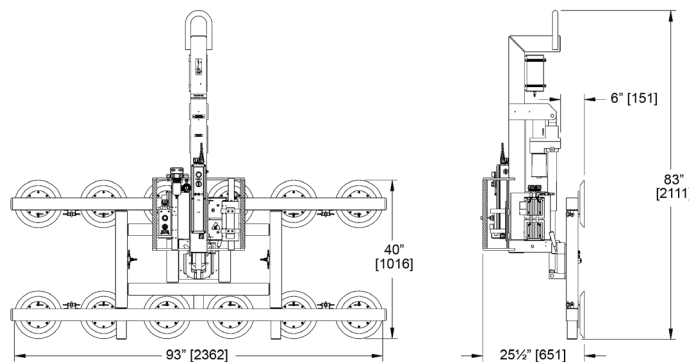
WOOD'S POWR-GRIP® MANUAL ROTATOR/POWER TILTER 2000



MRPT1211LAC
2000 lbs [905 kg]



Large capacity meets ease of handling in this Powr-Grip® vacuum lifter, equipped with powered 90° tilt and continuous 360° rotation.



Maximum Load Capacity	2000 lbs [905 kg]
Standard Operating Power	120 volts AC, 60 hertz, 12 amps
Load Movement	Manual rotation, 360° edgewise, with locking at each quarter point. Power tilt, 90° between upright and flat
Standard Features	Green lift light Movable control pendant Vacuum gauge Vacuum reserve tank Vacuum line filter Spring-mounted vacuum pads Twist-lock electrical plug Blow-off for quick release
Available Options	DC power system (MRPT1211LDC) (Specifications not as listed above. Please contact us for more information.) High-duty tilt with speed control (special order) 12-Volt/DC vacuum back-up system (93756FM) Vacuum loss warning buzzer (93780BM) Voltage adaptation (95530 & 95530AM) Individual pad shutoffs (93011) Pad shutoffs kit with individual gauges (special order) Interchangeable pad frames Telescoping pad arms (95612AM) Control handle extensions (special order) Adjustable vertical handles (95527) Alternative pad compounds, including ones for low-marking, temperature resistant and coated surface applications (special order)
Lifter Weight	459 lbs [209 kg]
Tilt Duty	58 tilts per hour
Time for 90° Tilt	11 seconds (approximately)
Attach	8 seconds (approximately)
Release	6 second (approximately)
Standard Pad Spread	40" x 93" [1016 x 2362 mm]
Number / Size of Pads	12 / 11" [28 cm] diameter, lipped
Design Standards	ASME B30.20 (BTH-1 Design Category "B", Service Class "0") (See www.WPG.com for more information.)

Based on product information at time of publication. Environmental conditions can affect product performance and longevity; consult the product instructions on WPG.com or contact a Technical Sales Representative for more information.



**THE ORIGINAL
& TRUSTED NAME
IN VACUUM LIFTING
EQUIPMENT**

800.548.7341
WPG.com

908 West Main - P.O. Box 368
Laurel, Montana 59044 U.S.A.
406.628.8231 (phone)
406.628.8354 (fax)

Wood's Powr-Grip products are sold through authorized dealers.