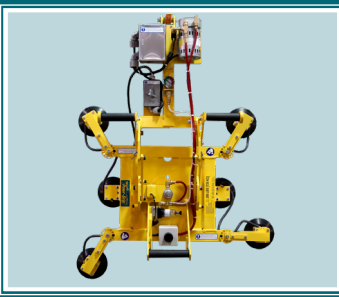


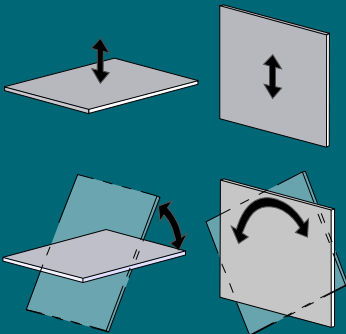
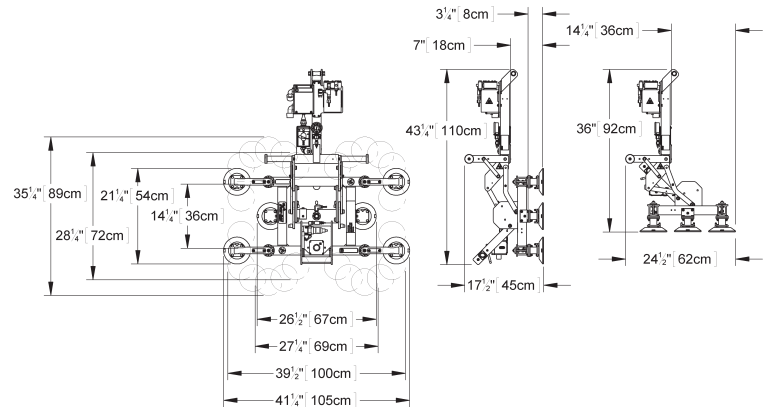
WOOD'S POWR-GRIP® QUADRA-TILT ROTATORS 200 & 300



MRTA4LP6FACS
200 lbs [90 kg]

MRTA6LP6FACS
300 lbs [135 kg]

In addition to continuous 360° rotation, these Powr-Grip® vacuum lifters feature multi-position pad arms and our innovative Quadra-Tilt linkage, for nearly effortless tilting of materials with various shapes and sizes.



**THE ORIGINAL
& TRUSTED NAME
IN VACUUM LIFTING
EQUIPMENT**

800.548.7341
WPG.com

908 West Main - P.O. Box 368
Laurel, Montana 59044 U.S.A.
406.628.8231 (phone)
406.628.8354 (fax)

	MRTA4LP6FACS	MRTA6LP6FACS
Maximum Load Capacity	200 lbs [90 kg]	300 lbs [135 kg]
Load Movement	Assisted manual tilt, 90° between upright and flat Manual rotation, 360° edgewise, with locking at each quarter point.	
Standard Operating Power	120 volts AC, 60 hertz, 3 amps (Other voltages available)	
Standard Features	Vacuum gauge Vacuum line filter Movable pad arms Spring-mounted vacuum pads Twist-lock electrical plug Multiple handles for easy load positioning Blow-off for quick release	
Available Options	DC power system (MRTA6LP6FDCS) (Specifications may not be as listed above. Please contact us for more information.) G-Force™ hoist control (special order) Vacuum loss warning buzzer (93780BM) 2" [5 cm] pad spacers (97461) Voltage adaptation (special order) Alternative pad compounds, including ones for low-marking, temperature resistant and coated surface applications (special order) Alternative pad frame dimensions and capacities (special order)	
Adjustable Pad Spread	Length: Min: 26-1/2" [67 cm], Max: 41-1/4" [105 cm] Width: Min: 14-1/4" [36 cm], Max: 35-1/4" [89 cm]	
Lifter Weight	71 lbs [33 kg]	
Number / Size of Pads	4 / 6" [15 cm] diameter	6 / 6" [15 cm] diameter
Apply (approximately)	2 seconds	3 seconds
Release (approximately)	1 second	2 seconds
Design Standards	ASME B30.20 (BTH-1 Design Category "B", Service Class "0") (See www.WPG.com for more information.)	

Environmental conditions can affect product performance and longevity; consult the product instructions on WPG.com or contact a Technical Sales Representative for more information. Based on product information at time of publication.