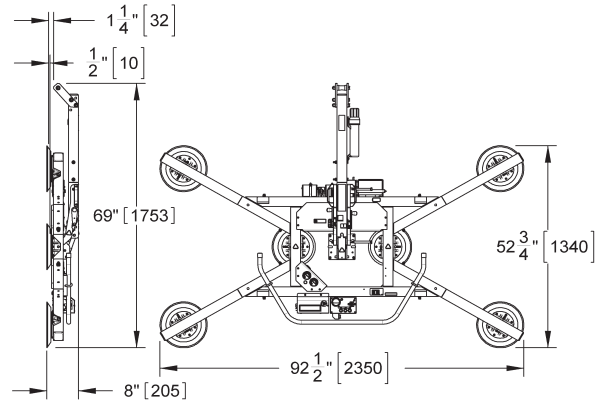
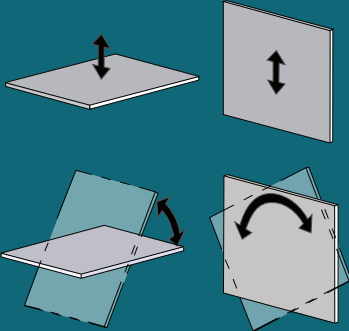


LOW-PROFILE MANUAL ROTATOR/TILTERS 900 & 1100

In addition to DC power and a dual vacuum system, this Powr-Grip® rotator/tilter features a highly adaptable pad frame and a remarkably low profile, for maximum flexibility in handling loads between buildings and scaffolding or similar tight work locations.

MRTALP611LDC
 1100 lbs [500 kg]

MRTALP6FS10TDC
 900 lbs [410 kg]



**THE ORIGINAL
 & TRUSTED NAME
 IN VACUUM LIFTING
 EQUIPMENT**



908 West Main - P.O. Box 368
 Laurel, Montana 59044 U.S.A.
 406.628.8231 (phone)
 406.628.8354 (fax)

800.548.7341
www.WPG.com



Products are manufactured under an
 ISO 9001 quality management system

Wood's Powr-Grip products are sold
 through authorized dealers.

	MRTALP611LDC	MRTALP6FS10TDC
Standard Pad Spread*	Minimum Width: 12" [305 mm] Maximum Width: 52-3/4" [1340 mm] Minimum Length: 35-1/2" [902 mm] Maximum Length: 102" [2593 mm]	Minimum Width: 11 1/4" [299 mm] Maximum Width: 52 1/2" [1334 mm] Minimum Length: 35 1/4" [896 mm] Maximum Length: 101 1/4" [2587 mm]
Number / Size of Vacuum Pads (please specify standard or low-marking rubber)	6 / 11" [28 cm] dia. lipped pads	6 / 10" [25 cm] dia. pads with replaceable foam rings
	* See Frame Configurations and Capacities	
Maximum Load Capacity*	1100 lbs [500 kg]	900 lbs [410 kg]
Unit Weight	213 lbs [97 kg]	218 lbs [99 kg]
Standard Operating Power	12 volts DC, 5 amps	
Load Movement	Manual rotation, 180° edgewise, with automatic latching every 30° Assisted manual tilt, 90° between upright and flat, with automatic latching in upright position	
Profile Thickness	8" [203 mm] (does not include load)	
Standard Features	Adjustable-position lift spool Dual vacuum system Low vacuum warning buzzer Green lift light On-board battery* and charger (*high-capacity battery for MRTALP6FS10TDC) Battery energy gauge Vacuum gauges Vacuum line filters Vacuum reserve tanks Spring-mounted vacuum pads (Re)movable pad mounts Pad extension arms Blow-off for quick release	

Environmental conditions can affect product performance and longevity; consult the product instructions on
 www.WPG.com or contact a Technical Sales Representative for more information.
 Based on product information at time of publication.

Available Options

Remote control system (57389)
 Vertical lift bar (57353)
 Long extension arms (95725)
 Extensions for movable pad mounts (93101 & 93101AM)
 Pad frame T-arm assemblies (97465) (for MRTALP6FS10TDC only)
 Alternative vacuum pads (Specifications not as listed above.
 Please contact us for more information):
 9" [23 cm] diameter pad (VPFS9)
 10" [25 cm] diameter concave pad (G0750)
 Counterbalance Lifter (CB2DCS)
 Alternative pad compounds, including ones for low-marking, temperature resistant and coated surface applications (special order)

Design Standards

(See WPG.com for more information.)

ASME B30.20

(BTH-1 Design Category "B", Service Class "0")

CE

FRAME CONFIGURATIONS AND CAPACITIES

