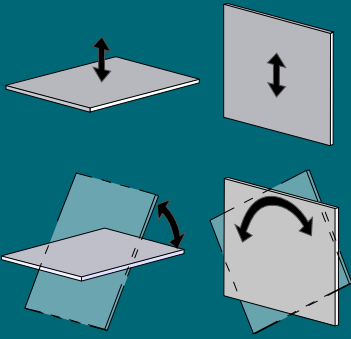


WOOD'S POWR-GRIP® POWER ROTATOR TILTER 4400 WITH DC3 DUAL VACUUM SYSTEM

PRT3211LDC3S
4400 lbs [1995 kg]



Employing state-of-the-art technology, *Intelli-Grip*® automatically monitors vacuum and power systems to:

- Maximize productivity
- Help reduce human error
- Simplify maintenance and repairs
- Protect employees and property from harm



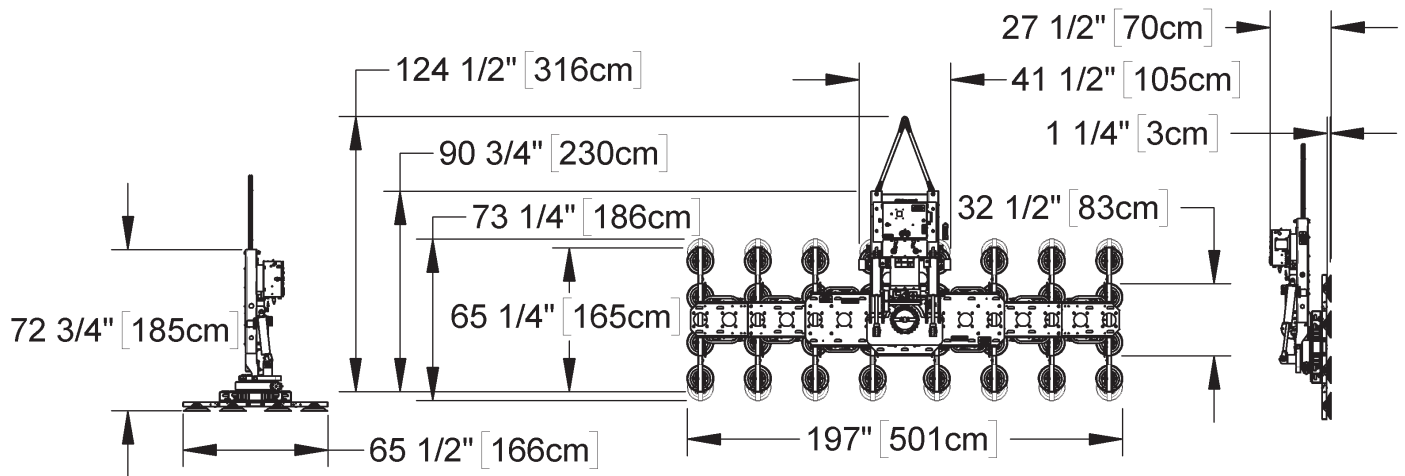
**THE ORIGINAL
& TRUSTED NAME
IN VACUUM LIFTING
EQUIPMENT**

800.548.7341
WPG.com

908 West Main - P.O. Box 368
Laurel, Montana 59044 U.S.A.
406.628.8231 (phone)
406.628.8354 (fax)

PRT3211LDC3S	
Maximum Load Capacity	4400 lbs [1995 kg]
Intelli-Grip® Technology	Automatic self-testing ensures lifter is ready for use, every lift. Color display provides critically relevant information at a glance. Anticipates threats and alerts operator beforehand with clearly visible and audible warnings. Continuously monitors battery and prevents lifter from attaching to loads if energy is hazardously low. Multiple alarm levels plainly identify the severity of hazards.
Load Movement	Power rotation, 360° edgewise Power tilt, 90° between upright and flat
Standard Operating Power	12 volts DC, 175 amps
Standard Features	Intelli-Grip® technology Dual vacuum system Remote control system Battery and charger Battery energy gauge Low vacuum strobe light Low vacuum/power loss warning buzzer with back-up battery Green lift light Vacuum gauges Vacuum reserve tanks Vacuum line filters Removable pad arms Removable pad frame sections Spring-mounted vacuum pads Removable parking stand Blow-off for quick release Two-action, push-button release
Available Options	Counter-Balancer (CB4DCS)* Custom pad frame sizes and capacities (special order) Alternative pad compounds, including ones for low-marking, temperature resistant and coated surface applications (special order) * Recommended Option
Dual Vacuum System	Features two completely independent vacuum circuits. Provides vacuum system redundancy. Limits possibility of a catastrophic failure. Reduces chance of harm to personnel or equipment.
Lifter Weight	2050 lbs [930 kg]

Wood's Powr-Grip products are sold through authorized dealers.



PRT3211LDC3S

Standard Pad Spread	Maximum: 73¼" x 197" [186 cm x 501 cm] Minimum: 32½" x 41½" [83 cm x 105 cm]
Number / Size of Pads	32 / 11" [28 cm] diameter, lipped vacuum pads
Design Standards	ASME B30.20 (BTH-1 Design Category "B", Service Class "0") CE (See www.WPG.com for more information.)
Environmental conditions can affect product performance and longevity; consult the product instructions on WPG.com or contact a Technical Sales Representative for more information. Based on product information at time of publication.	