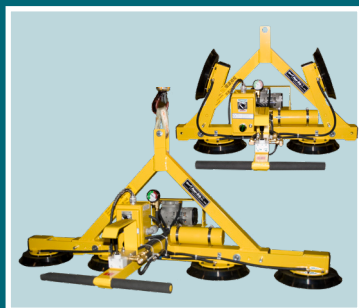


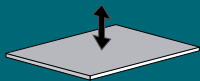
# WOOD'S POWR-GRIP® FOLDING ARM FLAT LIFTER



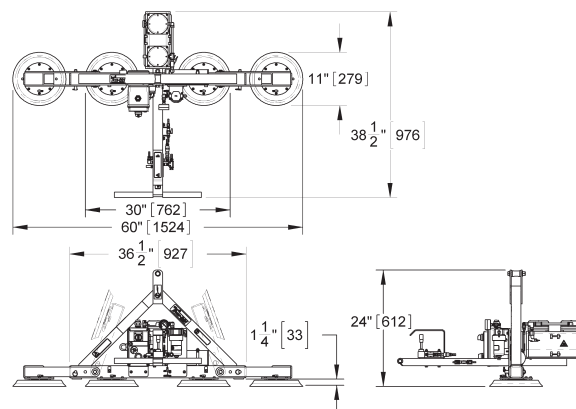
## FL4HV11AC

1000 lbs [455 kg] (4 pads)

500 lbs [228 kg] (2 pads)



This Powr-Grip® Flat Lifter combines the capacity of a large vacuum lifter with the speed and agility of a small one.



<b>Load Capacity</b>	<b>1000 lbs [455 kg] (4 pads)</b> <b>500 lbs [228 kg] (2 pads)</b>
<b>Load Movement</b>	Flat to flat
<b>Standard Operating Power</b>	120 volts AC, 60 hertz, 4 amps
<b>Standard Features</b>	Fold-away outer pad arms Vacuum gauge Vacuum line filter Vacuum reserve tank Shutoff to outer pads Green lift light Spring-mounted pads Twist-lock electrical plug Blow-off for quick release
<b>Available Options</b>	Vacuum loss warning buzzer (93780BM) Voltage adaptation (special order) Alternative vacuum pads (Specifications not as listed above. Please contact us for more information): 9" [23 cm] diameter pad (VPFS9) 10" [28 cm] diameter, concave (G0750) 11" [28 cm] diameter, lipped pad (G3370) Alternative pad compounds, including ones for low-marking, oil-resistant and temperature resistant applications (special order)
<b>Alternative Power Systems</b>	DC power system (FL4HV11DCS) Air (venturi) power system (FL4HV11AIRS) (Specifications may not be as listed. Please contact us for more information.)
<b>Standard Pad Spread</b>	60" x 11" [1524 x 279 mm] (4 pads in use) 30" x 11" [762 x 279 mm] (2 pads in use)
<b>Apply</b>	4 seconds (approximately)
<b>Release</b>	3 seconds (approximately)
<b>Number / Size of Pads</b>	4 / 10" [25 cm] dia. lipped
<b>Lifter Weight</b>	100 lbs [46 kg]
<b>Design Standards</b>	ASME B30.20 (BTH-1 Design Category "B", Service Class "0") (See www.WPG.com for more information.)

Based on product information at time of publication. Environmental conditions can affect product performance and longevity; consult the product instructions on WPG.com or contact a Technical Sales Representative for more information.



**THE ORIGINAL  
& TRUSTED NAME  
IN VACUUM LIFTING  
EQUIPMENT**

**800.548.7341  
WPG.com**

908 West Main - P.O. Box 368  
Laurel, Montana 59044 U.S.A.  
406.628.8231 (phone)  
406.628.8354 (fax)

Wood's Powr-Grip products are sold through authorized dealers.