

WOOD'S POWR-GRIP® GUIDE TO MAINTENANCE, TROUBLESHOOTING AND REPAIR



N4950, N5450, N6450,
N4300*, N5300*, N6300*
N4950TS, N5450CS
Metal Handle Hand Cups

* Some details may not apply to hand cups with plastic plunger assemblies.

General Maintenance

Inspect the Hand Cup Regularly:

- Make sure the air filter is in place; if not, discontinue use until the filter is replaced.
- Examine the plunger assembly and handle for dents, cracks or other damage.
- Examine the face of the vacuum pad for excessive glaze (a polished, glossy appearance).
- Examine the vacuum pad for cuts or roughness on the sealing edges.
- Periodically test the cup for excessive leakage, sluggishness in plunger action or radical changes in the number of strokes needed to keep the red line hidden.
- If the cup does not function normally, review the TROUBLESHOOTING GUIDE (overleaf) to determine which corrective action is needed.

Clean the Vacuum Pad:

- Remove the air filter from the pad face.
- Use a clean sponge or lint-free cloth to apply soapy water or another mild cleanser to the pad face.
- **Never use solvents or rubber conditioners as a cleaning agent** (see WARNINGS).
- To prevent liquid from contaminating the pump during cleaning, hold the cup facedown or cover the suction inlet in the filter recess.
- If the pad has a felt strip at the edge, be careful not to dampen it.
- Wipe all residue from the pad face and allow the cup to dry.
- Reinstall the air filter.

Inspecting and Testing the Cup for Leakage

Inspect the Sealing Edges:

- Slowly draw your finger along the entire length of the sealing edges, to check for roughness or foreign material.
- Examine the sealing edges for cuts by bending the edge of the pad face towards you to create a hump, turning the hand cup as necessary.
- If cuts or cracks are present in a sealing edge, a V-shaped gap will appear.
- Any pad that exhibits a gap or excessive roughness in a sealing edge must be replaced.

Leak-Test the Hand Cup:

- Attach the cup to a clean, smooth, scratch-free piece of glass or metal for approximately 2 hours.
- The red line on the plunger serves as a vacuum indicator:
 - If the red line *does not* appear during the test period, the cup is usable.
 - If the red line *does* appear, perform general maintenance and repeat the test.
- If the problem persists, check the TROUBLESHOOTING GUIDE (overleaf) to identify possible causes and appropriate corrective actions.
- If these measures do not restore the cup to normal performance, contact the Wood's Powr-Grip Customer Service department or an authorized dealer for assistance.

Based on product information at time of publication. Environmental conditions can affect product performance and longevity; consult the product instructions on www.WPG.com or contact a Technical Sales Representative for more information.



THE ORIGINAL
& TRUSTED NAME
IN VACUUM LIFTING
EQUIPMENT

800.548.7341
WPG.com

908 West Main - P.O. Box 368
Laurel, Montana 59044 U.S.A.
406.628.8231 (phone)
406.628.8354 (fax)

Wood's Powr-Grip products are sold
through authorized dealers.

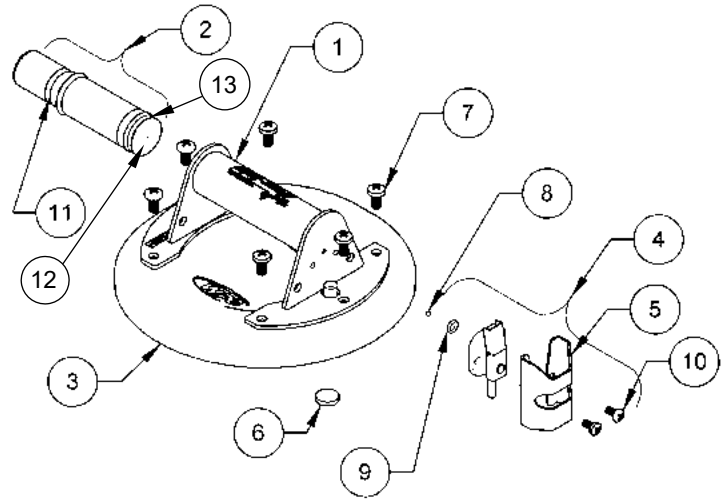
Rev. 4/3/07-20 Metal Troubleshooter **1MTS**

PARTS AND ASSEMBLY

- 1 [90510AM](#) Handle
- 2 [90520AM](#) Plunger Assembly, Metal
- [90154AM](#) Plunger Assembly, Industrial-Grade Plastic
- [90524AM](#) Plunger Assembly, with Audio Alarm (WBP)
- [90158AM](#) Plunger Assembly, High Elevation
- 3 [49480T](#) Vacuum Pad, 8" [20 cm] Dia., Flat, Lipped (VPFS8L)
- [49478T](#) Vacuum Pad, 8" [20 cm] Dia., Flat, Lipped, Low-Marking (VPFS8L)
- [49495T](#) Vacuum Pad, 8" [20 cm] Dia., for IMP & Cladding Surfaces (VPFS8C)
- [49488T](#) Vacuum Pad, 8" [20 cm] Dia., for Textured Surfaces (G0695TS)
- [49506T](#) Vacuum Pad, 9" [23 cm] Dia., Flat (G0725)
- [49520T](#) Vacuum Pad, 9" [23 cm] Dia., Concave (VPCS9)
- [49586T](#) Vacuum Pad, 10" [25 cm] Dia., Concave (G0750)
- 4 [90500](#) Valve Block with Release Lever & Guard
- 5 [51506](#) Valve Guard
- 6 Air Filter*
- 7 [10002](#) Handle Screws (6)
- 8 Check Ball*
- 9 O-Ring*
- 10 [10008](#) Valve Screws (2)
- 11 Red Line
- 12 Button
- 13 U-Cup

- Not Shown
- [29335](#) 8" [20 cm] Case, Grey
 - [29334](#) 8" [20 cm] Case, Black
 - [29338](#) 9" [23 cm] Case, Black
 - [29342](#) 10" [25 cm] Case, Black
- Plunger Lube*

*Repair Kit #90504



TROUBLESHOOTING GUIDE

PROBLEM	CAUSE	CORRECTION
Slow leakage	Cuts on sealing edge	Replace vacuum pad.
	Dirt or lint inside pump	Wipe inside of handle with a soft cloth. Check for contamination on U-cup or button.
	Dry pump	Apply a light coating of plunger lube inside handle.
	Scratches inside handle (between mid-point and closed end)	Replace handle.
	Release valve pad contamination	Open release valve and blow valve pad clean with air hose.
	Contaminated pad face	Clean vacuum pad.
	Release valve O-ring leakage	Tighten valve screws and/or replace O-ring.
Valve stem leakage	Adjust stem for better alignment.	
Severe leakage	Severe contamination	Clean plunger assembly and inside of handle.
	Gouges or cuts on sealing edges	Replace vacuum pad.
	Broken handle or release valve	Replace handle or release-valve assembly
Jammed or sluggish pump	Dry pump	Apply a light coating of plunger lube inside handle.
	Obstructed release valve stem	Remove obstruction (through suction inlet behind air filter).
	Severe contamination	Clean plunger assembly and inside of handle.
	Dented handle	Replace handle.
	Bent plunger	Replace plunger assembly.
Pad slips when attached	Contaminated load surface	Wipe surface clean. If necessary, wash and allow to dry.
	Contaminated pad face	Clean vacuum pad.
	Excessive glaze or wear on pad face	Replace vacuum pad (at least once every 2 years).
More than 10 strokes needed to apply	Any of the above	Perform general maintenance.
	Check ball sticking	Clean check ball and seat. Replace check ball if rough.
	Sealing edge not contacting load surface	Remove handle screws and separate vacuum pad from handle. Determine whether handle or pad is bent and replace as appropriate.

Disassembly Procedures



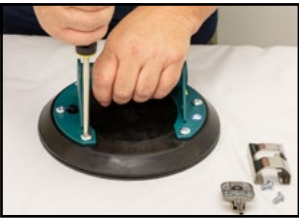
Remove Plunger Assembly from Handle

- Grasp the head of the plunger assembly and pull it straight out from the handle. If the plunger assembly is too tight to be removed this way, return the hand cup for repair.
- Replace the plunger assembly if the plunger housing is bent or dented.
- Otherwise, wipe the plunger assembly clean with a soft, lint-free cloth.
- Be careful to keep the plunger assembly clean and free of contaminants when it is not in the handle.
- Disassembly of the plunger assembly is not recommended.



Remove Release Valve from Handle

- Remove the 2 screws holding the release valve to the handle.
- Carefully slide the valve stem out from the nipple on the vacuum pad.
- As the valve is removed, the check ball may roll out; be careful not to lose it!



Remove Handle from Vacuum Pad

- Remove the 6 handle screws, and separate the handle from the pad.
- Wrap a small dowel or rod with a soft, lint-free cloth and wipe the inside of the handle, to make sure it is clean and dry (lubricant-free).

Assembly Procedures



Inspect and Attach Handle to Vacuum Pad

- Carefully examine the inside of the handle for scratches and contaminants, using a flashlight for illumination:
 - Scratches between the midpoint and the closed end of the handle can cause leakage.
 - Scratches near the open end of the handle rarely present a problem.
 - Make sure that no lubricant remains inside the handle.
- Place the handle on the pad so its nipple fits through the large hole in the base plate near the closed end of the handle.
- Align the screw holes and reinstall the handle screws.



Reinstall Release Valve on Handle

- Apply a light coating of plunger lube to the valve stem.
- Make sure the check ball and O-ring are in position, and slide the valve stem into the pad nipple, keeping the O-ring against the closed end of the handle.
- Place the valve guard over the release valve and align the screw holes in the guard, valve and handle.
- Reinstall the valve screws. Even when the screws are tight, the valve may not always appear to fit flush against handle end plate; this is normal.



Reinsert Plunger Assembly into Handle

- Using a soft swab, apply a ring of lubricant around the inside of the handle, at a point about 1" [2.5 cm] from the closed end. Keep the open end of the handle as dry (lubricant-free) as possible.
- Plunger lube is recommended; contact Wood's Powr-Grip Customer Service to order this.
- **Do not use improper lubricants in the handle.**
- Insert the U-cup end of the plunger assembly into the handle.
- Push the plunger assembly until it begins to tighten; then seat the plunger assembly with one strong, swift motion.
- Operate the plunger, turning it to spread the lubricant thoroughly on the U-cup.
- Now the cup is assembled and ready for testing.



WARNINGS

Wood's Powr-Grip has taken great care to produce the most reliable vacuum-operated handling device available. Nevertheless, mistreatment or misuse may damage a hand cup or otherwise create conditions which could cause the hand cup to fail, resulting in an unexpected release. The following warnings are offered to help users avoid most potential hazards.

Failure to observe WARNINGS could damage the cup or the load, or cause injury to the user.

- Do not use the cup with loads that exceed the load capacity.
- Do not use the cup to support a person.
- Do not place the pad face against surfaces that could damage the sealing edges.
- Avoid conditions that could cause the cup to slip or to disengage prematurely, such as: contaminates, cuts or scratches in the pad face or load surface; applying the cup to porous materials; or applying pressure against the pad edge.
- Do not use the cup to lift when the red line is visible. If the red line reappears frequently, discontinue use and follow the instructions for general maintenance and testing.
- Do not allow anything to interfere with free movement of the plunger while the cup is attached. This could prevent the red line from warning the user of vacuum loss.
- Do not touch the release-valve lever while lifting.
- Do not attach 10" [25 cm] diameter cups (models N6450 & N6300) to thin, fragile materials.
- Do not use harsh chemicals (such as solvents or gasoline) or unauthorized rubber cleaners and conditioners to clean the cup. See www.WPG.com for more information.