



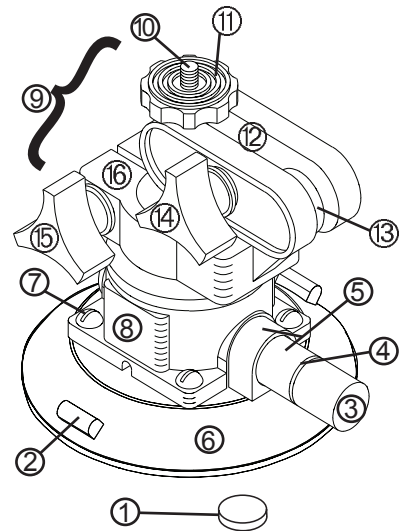
# LJ45PHC

## Instructions to Use the Camera Head

Rev. 3.6 / 02-18 Instruction Sheet 32605 PHC

- 1. 60024 Air Filter
- 2. Release Tab
- 3. Plunger
- 4. Red Line
- 5. 90111 Pump
- 6. 49345T Vacuum Pad, 4-1/2" [11 cm] Diameter (LJ45)
- 7. 10020 Screw, 10-32 x 1/2"
- 8. 60181 Accessory Mount, Polycarbonate, 1/4-20 Insert
- 9. 97955 Cleat Camera Head
- 10. Ball Mount with Threaded Stud
- 11. Contact Plate
- 12. Arms
- 13. Pivot Post
- 14. Upper Control Knob
- 15. Lower Control Knob
- 16. Swivel Plate

Not Shown  
29308 Pad Cover, 4-1/2" [11 cm]



### MOUNTING A CAMERA

- 1) Position the Cleat camera head as shown (see figure A).
- 2) Hold the camera securely in one hand.
- 3) Grasp the vacuum cup with the other hand as shown, and insert the threaded stud into the female threads on the camera base.
- 4) Turn the cup until the contact plate seats firmly against the camera. Note: Be careful not to over-tighten.
- 5) Attach the cup securely to the contact surface as directed in SMALL VACUUM CUP INSTRUCTIONS (32630 SC).

### ADJUSTING THE ORIENTATION OF THE CAMERA

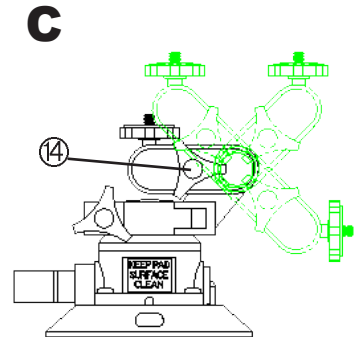
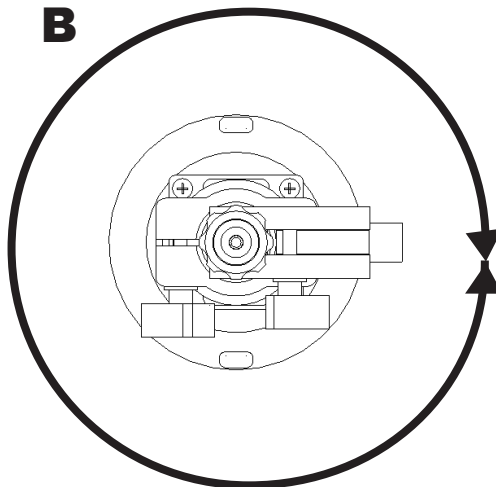
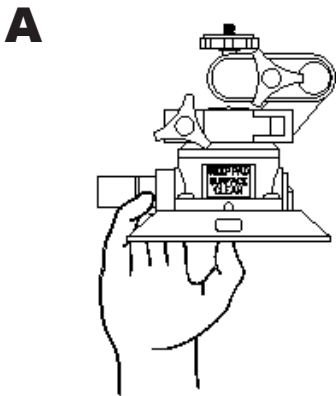
Two knobs control all adjustments of the Cleat camera head, as required to level, tilt or pan the camera.

#### To Turn the Swivel Plate

- 1) Loosen the lower control knob enough to allow 360° movement of the swivel plate (see figure B).
- 2) Turn the swivel plate to the desired position for using the camera.
- 3) Tighten the lower control knob securely.

#### To Adjust the Ball Mount and Arms

- 1) Loosen the upper control knob enough to reposition the ball mount and/or allow 225° movement of the arms (see figure C). CAUTION: Be sure to support the camera while loosening the control knob.
- 2) Adjust the ball mount and/or arms to the desired position for using the camera.
- 3) Tighten the upper control knob securely.



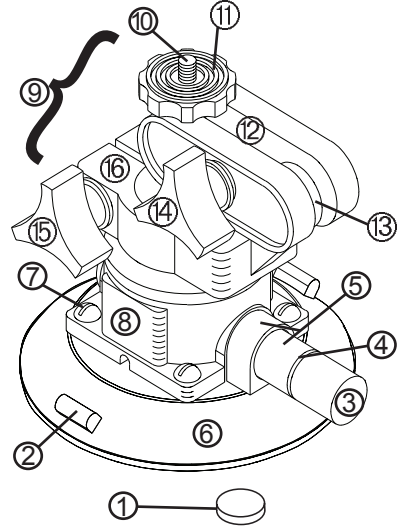


LJ45PHC

Limited Warranty

- 1. 60024 Air Filter
- 2. Release Tab
- 3. Plunger
- 4. Red Line
- 5. 90111 Pump
- 6. 49345T Vacuum Pad, 4-1/2" [11 cm] Diameter (LJ45)
- 7. 10020 Screw, 10-32 x 1/2"
- 8. 60181 Accessory Mount, Polycarbonate, 1/4-20 Insert
- 9. 97955 Cleat Camera Head
- 10. Ball Mount with Threaded Stud
- 11. Contact Plate
- 12. Arms
- 13. Pivot Post
- 14. Upper Control Knob
- 15. Lower Control Knob
- 16. Swivel Plate

Not Shown  
29308 Pad Cover, 4-1/2" [11 cm]



Wood's Powr-Grip products are guaranteed to be free of any defects in manufacturing or materials ***for 1 year from the date of purchase.***

Warranty does **NOT** cover:

- ✓ Rubber portions that are cut/scratched during use.
- ✓ Damage to product (e.g. dented handles).
- ✓ Abnormal wear and tear.
- ✓ Products that have been abused, misused or neglected.
- ✓ Products that have been altered or modified.

For additional information, please visit: [www.wpg.com/warranty](http://www.wpg.com/warranty)

Please fill out and ***KEEP FOR YOUR RECORDS!***

This information is important for claiming a Warranty service.

Date of Purchase:

Purchased From:

Model #:

Stock#: