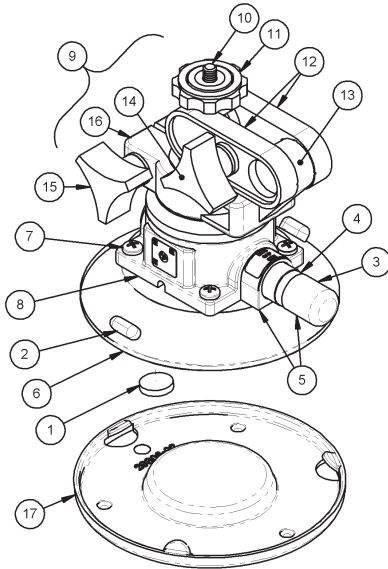


LJ45PHC

Instructions to Use the Camera Head



- | | | |
|-----|--------|---|
| 1. | 60024 | Felt Filter |
| 2. | | Release Tab |
| 3. | | Plunger |
| 4. | | Red Line |
| 5. | 90111 | Pump |
| 6. | 49345T | Vacuum Pad, 4-1/2" (11 cm) Diameter (LJ45) |
| 7. | 10020 | Screw, 10-32 x 1/2" |
| 8. | 60181 | Accessory Mount, Polycarbonate, 1/4-20 Insert |
| 9. | 97955 | Cleat Camera Head |
| 10. | | Ball Mount with Threaded Stud |
| 11. | | Contact Plate |
| 12. | | Arms |
| 13. | | Pivot Post |
| 14. | | Upper Control Knob |
| 15. | | Lower Control Knob |
| 16. | | Swivel Plate |
| 17. | 29308 | Pad cover, 4-1/2" (11 cm) |

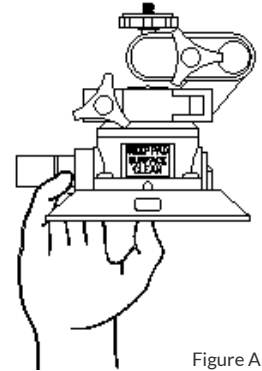


Figure A

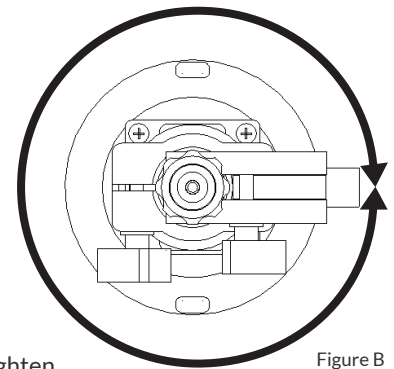


Figure B

MOUNTING A CAMERA

- 1) Position the Cleat camera head as shown (see figure A).
- 2) Hold the camera securely in one hand.
- 3) Grasp the vacuum cup with the other hand as shown, and insert the threaded stud into the female threads on the camera base.
- 4) Turn the cup until the contact plate seats firmly against the camera. Note: Be careful not to over-tighten.
- 5) Attach the cup securely to the contact surface as directed in [SMALL VACUUM CUP INSTRUCTIONS \(32630 SC\)](#).

ADJUSTING THE ORIENTATION OF THE CAMERA

Two knobs control all adjustments of the Cleat camera head, as required to level, tilt or pan the camera.

To Turn the Swivel Plate

- 1) Loosen the lower control knob enough to allow 360° movement of the swivel plate (see figure B).
- 2) Turn the swivel plate to the desired position for using the camera.
- 3) Tighten the lower control knob securely.

To Adjust the Ball Mount and Arms

- 1) Loosen the upper control knob enough to reposition the ball mount and/or allow 225° movement of the arms (see figure C).
CAUTION: Be sure to support the camera while loosening the control knob.
- 2) Adjust the ball mount and/or arms to the desired position for using the camera.
- 3) Tighten the upper control knob securely.

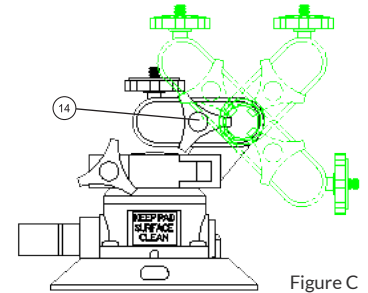


Figure C

Wood's Powr-Grip vacuum cups are guaranteed to be free of any defects in manufacturing or materials **for 3 years from the date of purchase.**



Warranty does **NOT** cover:

- ✓ Cut or scratched rubber parts
- ✓ Parts damage by customer
- ✓ Abnormal wear and tear
- ✓ Abuse, misuse or neglect
- ✓ Modified products

For additional information, please visit:
www.wpg.com/service/warranty



KEEP FOR YOUR RECORDS!

Record this information, in case you need to claim Warranty service.

Date of Purchase:

Purchased From:

Model Number:

Stock Number: