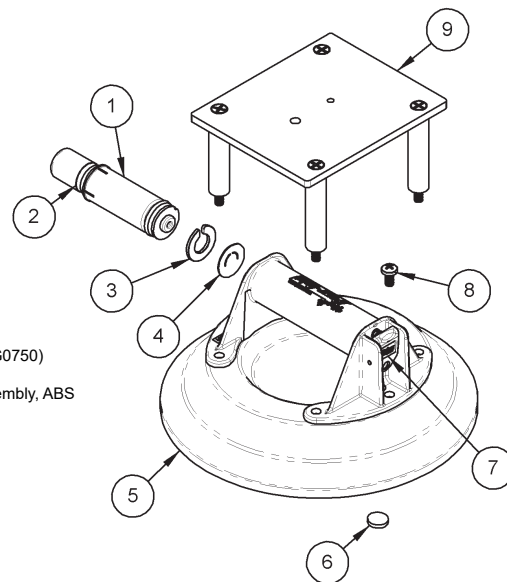




INSTRUCTIONS

Model N6000BP

Rev. 0.2 / 07-19 Instruction Sheet 32609



- | | | |
|----|---------|--|
| 1. | 90154AM | Plunger Assembly, ABS |
| 2. | | Red Line |
| 3. | | Check Valve Retainer* |
| 4. | | Check Valve* |
| 5. | 49586T | Vacuum Pad, 10" Dia., Concave (G0750) |
| 6. | | Air Filter* |
| 7. | 90151 | Valve Release Lever / Handle Assembly, ABS |
| 8. | 10002 | Screw, 1/4-20 x 1/2" |
| 9. | 90130 | Mounting Platform Kit, Assembled |
| | | Not Shown |
| | 29353 | Pad Cover |

* Repair Kit 90160 for Industrial Plastic (3, 4, 6 and Plunger Lube)



SPECIFICATIONS

Product Description

This vacuum cup with a nominal diameter of 10" [25 cm] uses vacuum to mount loads temporarily, as follows: A manual pump removes air from between the rubber pad and the mounting surface; a red line on the pump's plunger serves as a vacuum indicator; a check valve allows the user to repump the cup without removing it from the mounting surface; and a release mechanism allows the cup to disengage completely.

Maximum Load Capacity

175 lbs [79 kg] per cup. Maximum Load Capacity includes a 3:1 safety factor and requires the following: attachment on clean, smooth, nonporous flat surfaces; a minimum vacuum level of 17-1/2" Hg [-59 kPa]; and a friction coefficient of 1. This rating is based on tests of new vacuum cups attached to static objects in ideal conditions. Many factors can reduce the capacity, such as dynamic loading (eg, mounting loads on moving vehicles) or attaching loads that apply leverage to the cup. See www.WPG.com for more information.

Load and Environmental Conditions

Use the cup on clean, relatively smooth, nonporous surfaces, at temperatures from 10° to 120° Fahrenheit [-12° to 49° Celsius]. Moisture or contaminants can reduce the slip resistance of the cup. The red-line indicator may not perform reliably at elevations above 5000 feet [1524 meters]; see Service.

OPERATION

To Attach

- 1) Clean the mounting surface and, if needed, the face of the vacuum cup (see Cleaning). CAUTION: Test the cup for staining or deformation of surfaces with light colors or soft coatings.
- 2) Position the cup so the red line will be visible if it should appear while the cup is attached.
- 3) Pump the plunger until the cup attaches completely. When the red line is hidden, the cup is ready for use.
- 4) Check the plunger frequently to make sure the cup remains securely attached. If the red line appears, pump the plunger until the red line is hidden again (see WARNINGS).

To Release

- 1) Secure the load.
- 2) Press the valve release lever until the cup disengages completely. CAUTION: Remove the cup when not in use. If the cup remains attached to a hot surface (eg, in direct sunlight) for an extended time, the rubber pad could bond with the surface, resulting in damage to the surface or to the pad when it is removed.

MAINTENANCE

Service

Since aging and wear reduce the capacity of the rubber pad, it should be replaced at least once every 2 years or whenever damage is discovered (see Inspection).

If the vacuum cup does not function normally, the cup face may be dirty or the

cup may require service. First clean the cup face according to the directions to follow. If the condition persists, contact an authorized dealer or visit www.WPG.com for assistance.

Cleaning

- 1) Remove the air filter from the cup face.
- 2) Use a clean sponge or lint-free cloth to apply soapy water or another mild cleanser to the cup face; see WARNINGS and www.WPG.com for more information. CAUTION: To prevent liquid from contaminating the pump, hold the cup face-down or cover the suction hole in the filter recess.
- 3) Wipe all residue from the cup face.
- 4) Allow the cup to dry and reinstall the air filter.

Inspection

Examine and test the cup regularly to make sure it does not exhibit the following faults:

- cuts or damage to sealing edges of rubber pad.
- cracks or dents in handle or pump.
- reappearance of red line soon after attaching cup.
- sluggishness or dramatic changes in pump action.
- excessive glaze or stiffness of rubber pad.
- air filter missing from cup face.

Correct any faults before using the cup (see Service).

Storage

Store in a clean, dry location out of direct sunlight. Use the pad cover to protect the cup face from damage.

WARNINGS

Failure to observe WARNINGS could damage the vacuum cup or the load, or cause injury to the user.

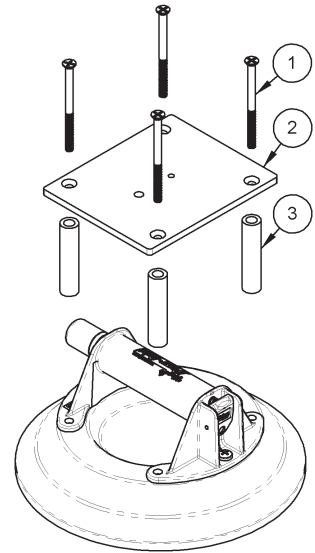
- Do not use the cup to support loads that exceed the Maximum Load Capacity or the effective capacity (see SPECIFICATIONS).
- Do not use the cup to support a person.
- Do not use the cup to support loads which could injure people if the cup disengages unexpectedly.
- Do not place the cup face against surfaces which could damage the sealing edges.
- Avoid conditions that could cause the cup to slip or to disengage prematurely, such as: contaminants, cuts or scratches in the cup face or mounting surface; applying the cup to porous materials; or applying pressure against the cup edge.
- Do not use the cup when the red line is visible. If the red line reappears frequently, discontinue use and see MAINTENANCE: Service.
- Do not allow anything to interfere with free movement of the plunger while the cup is attached.
- Do not touch the valve release lever while using the cup.
- Do not attach the cup to thin, fragile materials or laminates consisting of them.
- Do not use harsh chemicals (such as solvents or gasoline) or unauthorized rubber cleaners and conditioners to clean the cup.



INSTRUCTIONS
Mounting Platform Kit

WARRANTY

- 1. 10400 Screw, 1/4-20 x 3-1/2"
- 2. 52140 Platform Mounting Plate
- 3. 52142 Platform Standoff



ASSEMBLY

This mounting kit is designed for use with any Wood's Powr-Grip N-Series Vacuum Cup. First remove the 4 standard screws that attach the handle to the vacuum pad (see illustration). Then assemble the mounting kit as shown in the illustration. Attach the platform and handle to the pad with the long mounting screws provided. Be sure to tighten the screws securely with a standard screwdriver.

DEPLOYMENT

The mounting plate is equipped with 2 tapped holes, including 1/4-20 and 3/8-16 threads. Use a corresponding bolt or other appropriate fastener to attach a movie camera or other equipment to the mounting plate, as desired. Make sure the equipment is securely mounted to the plate. Then apply the vacuum cup to the mounting surface as directed in the OPERATION: To Attach section (see overleaf).

CAUTION: The cup's load capacity may be reduced by any leverage applied by mounted equipment, by mounting the cup to a moving vehicle and by other factors, as detailed in the vacuum cup instructions (see overleaf). Test the stability of the equipment before deploying it as described above. If there is any possibility that a specific application will cause the cup to loosen, use a tether to prevent the equipment from falling while in use.

LIMITED WARRANTY

Wood's Powr-Grip vacuum cups are carefully constructed, thoroughly inspected at various stages of production, and individually tested. They are warranted to be free from defects in workmanship and materials for one year from the date of purchase. If a problem

develops during the warranty period, return the complete product as directed below. If inspection shows that the problem is due to defective workmanship or materials, the product will be repaired or replaced without charge.

WARRANTY DOES NOT APPLY WHEN:

- Rubber portions have been cut or scratched during use.
- Repairs are required due to abnormal wear and tear.
- The product has been abused, misused or neglected.
- Alterations have been made to the product.

A problem not covered under warranty will be corrected automatically, unless the customer includes a written request for notification of costs prior to repair. Otherwise the customer assumes all responsibility for repair costs and agrees to receive the repaired product on a C.O.D. basis.

TO OBTAIN WARRANTY SERVICE

For purchases in **North America:**

- Please include your name, address and phone number;
- Indicate **WARRANTY RETURN;**
- Ship product—prepaid—**DIRECTLY TO MANUFACTURER** at:
 Wood's Powr-Grip Co., Inc.
 908 West Main
 Laurel, MT 59044 U.S.A.

For purchases in **all other localities:**

- Return product to point of purchase.

RETAIN THIS INFORMATION FOR YOUR RECORDS.

Purchased From	Model No.
Date Purchased	Serial No. (if present)