

KEEP FOR FUTURE REFERENCE

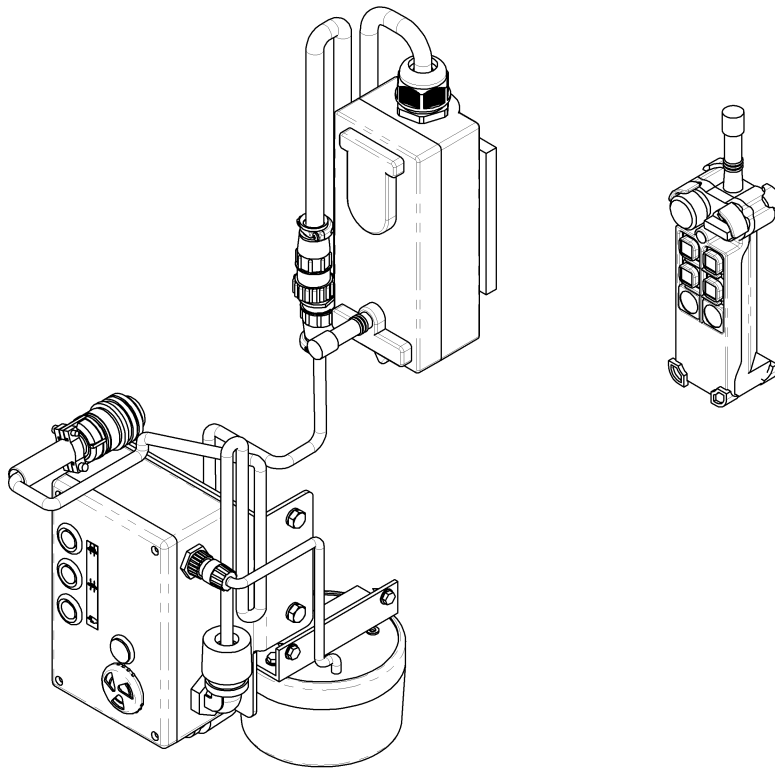


*P.O. Box 368 – 908 West Main
Laurel, MT USA 59044
phone 800-548-7341
phone 406-628-8231
fax 406-628-8354*

INSTRUCTIONS

International Version

STOCK NUMBER: 58197



RADIO REMOTE CONTROL OPTION RETROFIT KIT INSTALLATION FOR MR1611LDC



***READ ALL INSTRUCTIONS AND WARNINGS
BEFORE USING THIS PRODUCT***



DESIGNED FOR THE MATERIALS HANDLING PROFESSIONAL

INSTALLATION

⚠ WARNING: Read all instructions before attempting to retrofit lifter with radio control option.

Tools

- 1) 5/16" open-end or socket wrench
- 2) 7/16" open-end or socket wrench

Disassembly

Note: See the OPERATING FEATURES in the MR1611LDC lifter's instruction manual to identify any features not clearly shown in the illustrations to follow.

- 1) Support the lifter as directed in the OPERATION section of MR1611LDC lifter's instruction manual (see AFTER USING THE LIFTER).
- 2) Disconnect the electrical connectors uniting the battery to the battery charger and the vacuum generating system.
- 3) Disconnect the movable control pendant from the lifter and store the pendant in a clean, dry location to protect it from environmental exposure.

Assembly

- 1) Mount the radio receiver on the existing pendant bracket, as indicated in Figures 1 and 2. Note: See Figure 1 for proper location of the radio receiver.
- 2) Mount the control enclosure assembly by its mounting bracket using a 7/16" wrench and fasteners supplied, as indicated in Figures 1 and 2. Note: Older lifters may not have predrilled holes on the lifter mount plate, where indicated; if not, contact Wood's Powr-Grip for more information.
- 3) Mount the strobe light by its mounting bracket using a 5/16" wrench and the 10-16 x 1/2" self-tapping screws supplied, as indicated in Figures 1 and 2. Note: Again, older lifters may not have predrilled holes on the lifter mount plate, where indicated; if not, contact Wood's Powr-Grip for more information.

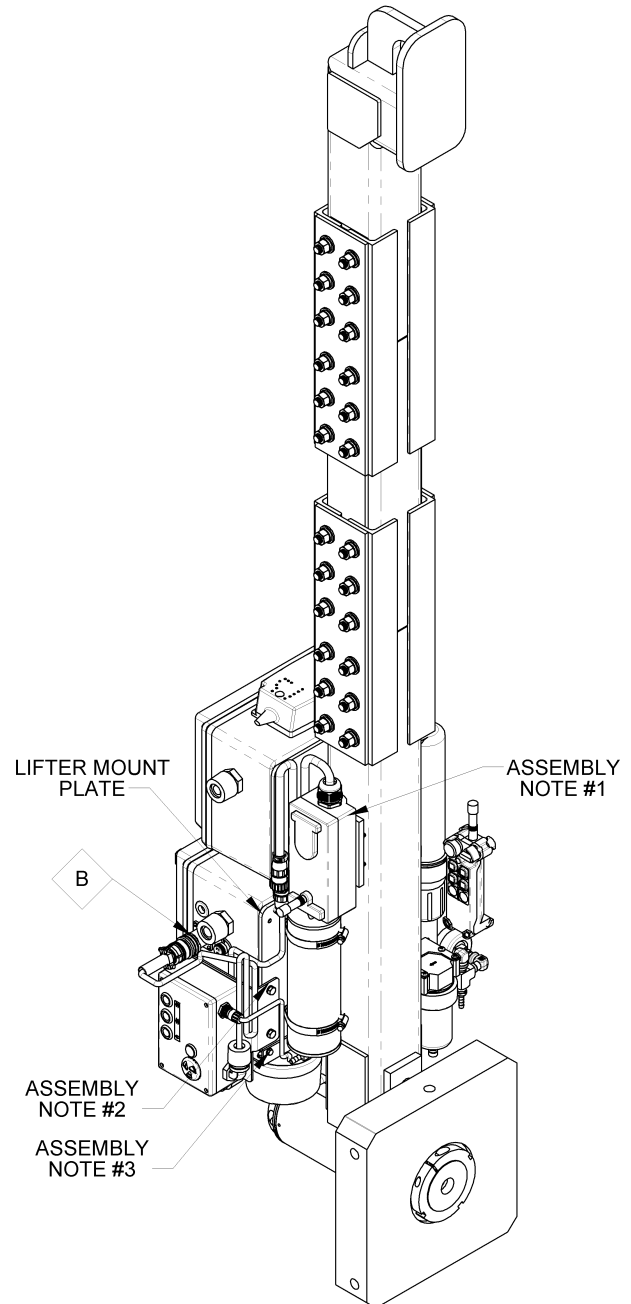


Figure 1
(Note: Some parts omitted for clarity.)

- 4) Connect the electrical connector between the strobe light and control enclosure assembly, as indicated by Tags A in Figure 2.
- 5) Connect the electrical connector between the radio receiver and control enclosure assembly, as indicated by Tags C in Figure 2.
- 6) Connect the electrical connector between the control enclosure assembly and the appropriate receptacle on the power system enclosure, as indicated by Tag B in Figures 1 and 2.
- 7) Use zip-ties supplied (WPG stock #15752) to secure excess cord and make sure that electrical cords will not be damaged or severed during lifter use, handling or storage.
- 8) Connect the electrical connectors uniting the battery to the battery charger and the vacuum generating system. The lifter is now operational.
- 9) Perform a VACUUM TEST of the lifter, as well as all other Operational and Load Tests, as directed in MAINTENANCE: TESTING SCHEDULE of the MR1611LDC lifter's instruction manual. Also see the lifter's instruction manual for SPECIFICATIONS and OPERATION instructions.

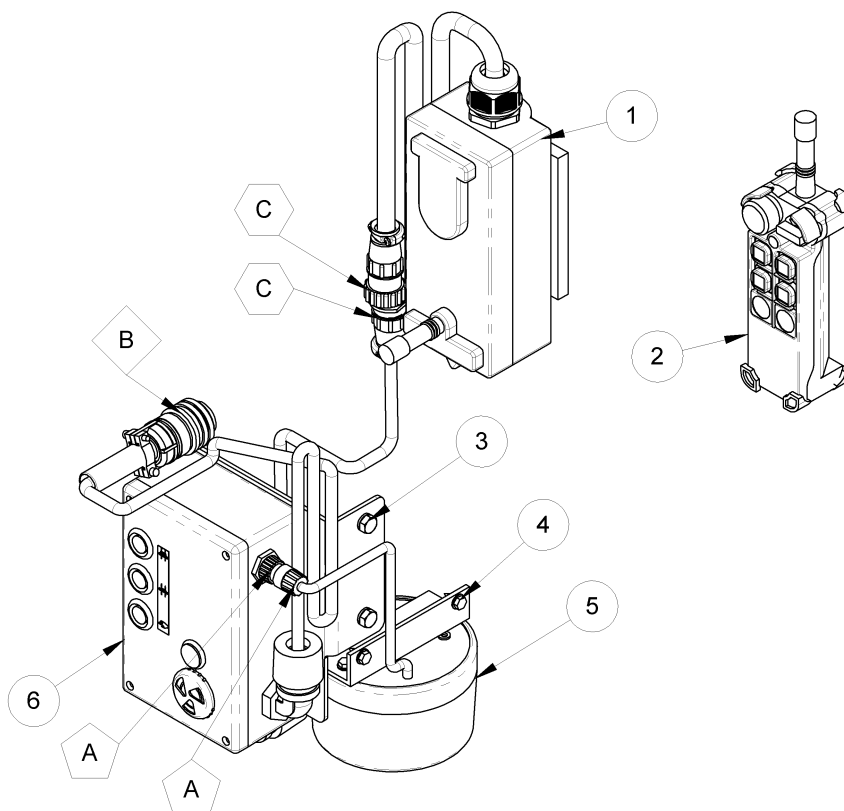


Figure 2

(Note: Tags with same shape and letter indicate components to be connected together.)

- 1) RADIO RECEIVER W/MOUNTING BRACKET
- 2) RADIO TRANSMITTER
- 3) 1/4-20 x 1/2" HEX HEAD BOLT & 1/4" SPLIT LOCK WASHER
- 4) 110-16 x 1/2" SELF-TAPPING SCREW
- 5) STROBE LIGHT W/MOUNTING BRACKET
- 6) CONTROL ENCLOSURE ASSEMBLY W/MOUNTING BRACKET

LIMITED WARRANTY

Powr-Grip products are carefully constructed, thoroughly inspected at various stages of production, and individually tested. They are warranted to be free from defects in workmanship and materials for a period of one year from the date of purchase.

If a problem develops during the warranty period, follow the instructions hereafter to obtain warranty service. If inspection shows that the problem is due to defective workmanship or materials, Powr-Grip will repair the product without charge.

WARRANTY DOES NOT APPLY WHEN:

Modifications have been made to the product after leaving the factory.

Rubber portions have been cut or scratched during use.

Repairs are required due to abnormal wear and tear.

The product has been damaged, misused, or neglected.

If a problem is not covered under warranty, Powr-Grip will notify the customer of costs prior to repair. If the customer agrees to pay all repair costs and to receive the repaired product on a C.O.D. basis, Powr-Grip then will proceed with repairs.

TO OBTAIN REPAIRS OR WARRANTY SERVICE

For purchases in *North America*:

Contact the Technical Service Department at Wood's Powr-Grip Co. When factory service is required, ship the complete product--prepaid--along with your name, address and phone number to the street address hereafter.

For purchases in *all other localities*:

Contact your dealer or the Technical Service Department at Wood's Powr-Grip Co. for assistance.

Wood's Powr-Grip Co., Inc.
908 West Main St. / P.O. Box 368
Laurel, MT USA 59044

phone 800-548-7341

phone 406-628-8231

fax 406-628-83

