

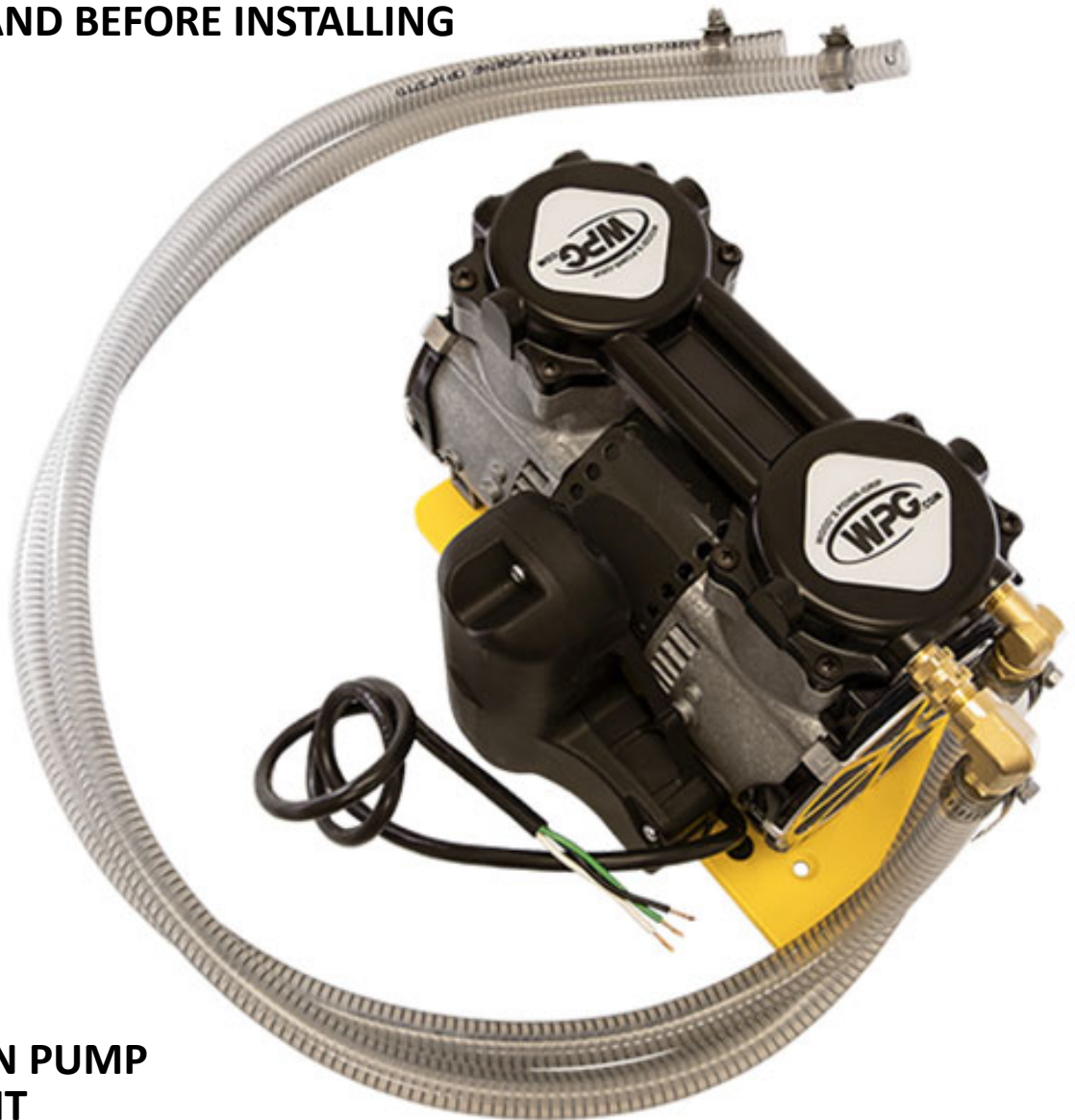
KEEP FOR FUTURE REFERENCE

INSTALLATION INSTRUCTIONS



908 W. Main • P.O. Box 368
Laurel, MT USA 59044
800-548-7341 (phone)
406-628-8231 (phone)
406-628-8354 (fax)
www.WPG.com

 **INTENDED FOR USE BY SKILLED
TECHNICAL PROFESSIONALS • READ
AND UNDERSTAND BEFORE INSTALLING**



WOBBLE PISTON PUMP CONVERSION KIT

Stock numbers: 93033, 93033AM, 93033B,
93033BM, 93033VIR

To MOUNT THE PUMP

- 1) Place the lifter's power switch in the "off" position (○). Disconnect the lifter's power cable from the power source.
- 2) Remove the existing vacuum pump, including the mounting plate.

Note: If a capacitor enclosure is present, remove it, to allow installation of the mounting screws. Then reinstall the enclosure after step 3.

- 3) Attach the new pump and its attached mounting plate (fig. 3A) securely using the four 1/4-20 screws provided.

Note: Different screws may be required, depending on the age and model of the lifter.



To WIRE THE PUMP

- 1) Determine whether the wires provided are long enough to reach the power enclosure. If not, add additional wire to the vacuum pump's wiring harness (fig. 1B).

Note: Any wire added must be 18 AWG or greater.

- 2) Route the wiring harness, to avoid damage or interference with any moving parts of the lifter.
- 3) Wire the pump to the lifter (see wiring diagram in these *INSTALLATION INSTRUCTIONS*).

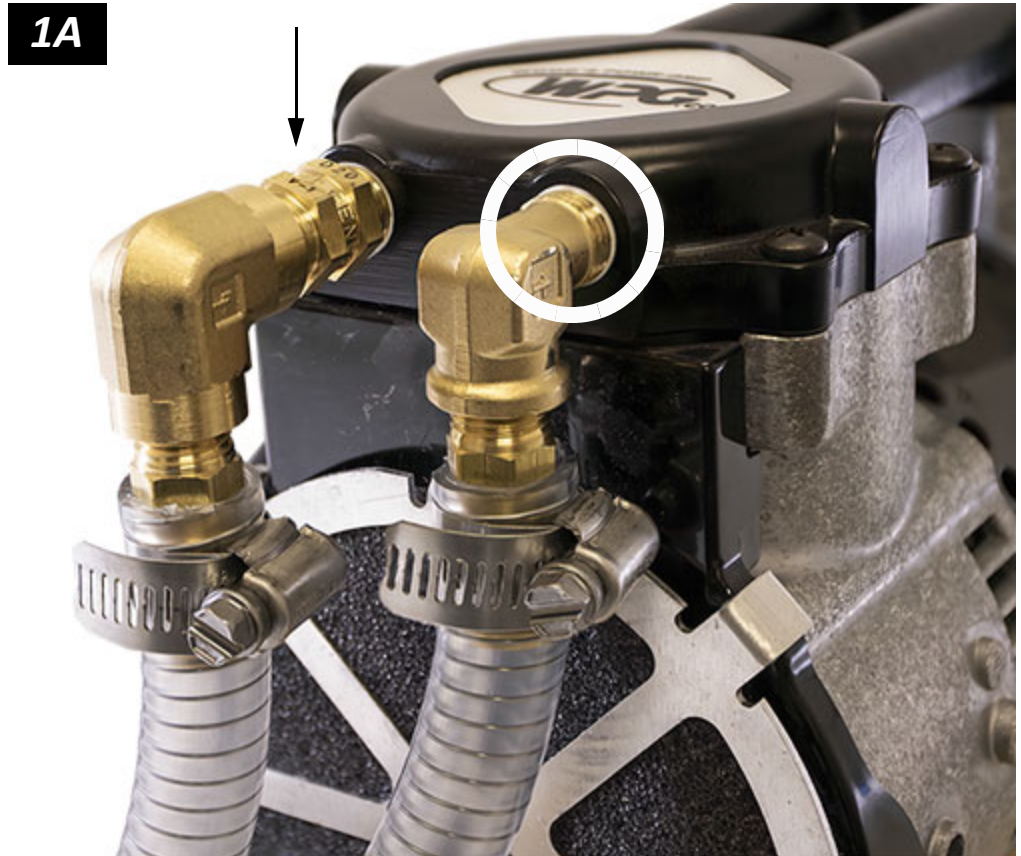


ASSEMBLY

To CONNECT THE VACUUM HOSES

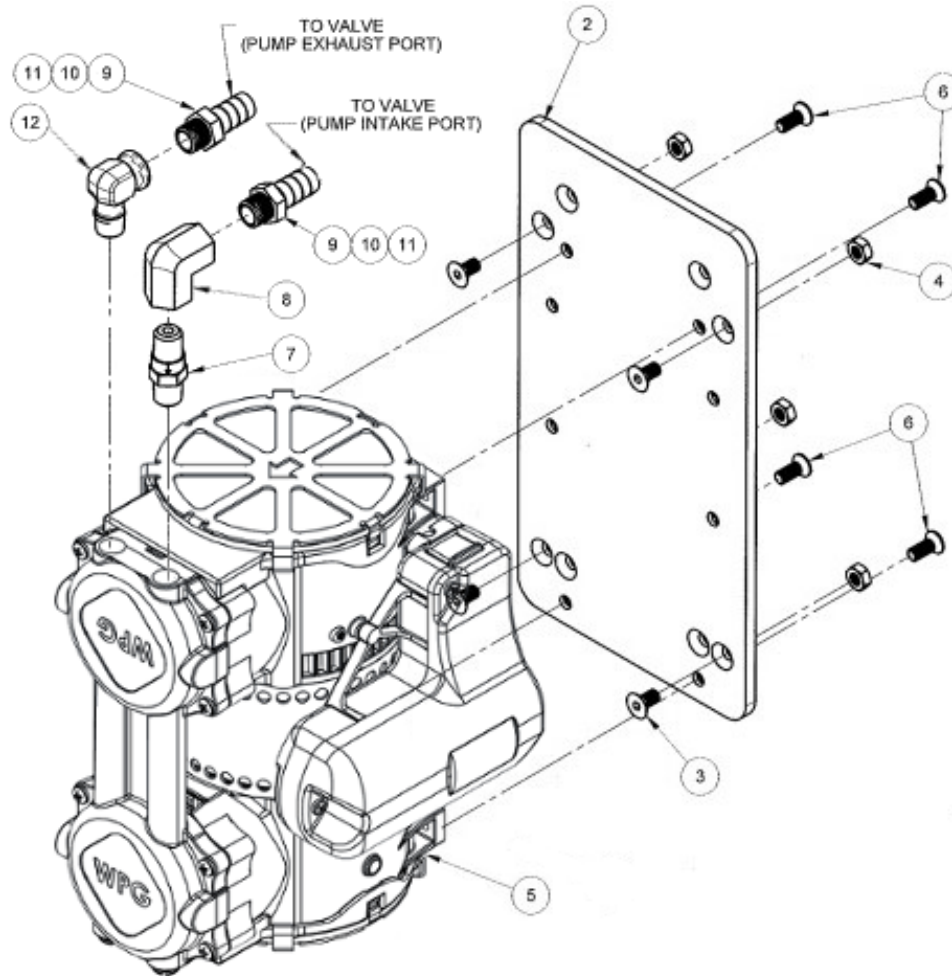
Note: The conversion kit ships with its vacuum hoses attached and secured at the vacuum pump.

- 1) Connect the hose leading from the vacuum port equipped with a check valve (see arrow in fig. 1A) to the lifter's control valve vacuum port. Then secure it with the supplied hose clamp.
- 2) Connect the hose leading from the exhaust port (circled in fig. 1A) to the lifter's control valve exhaust port. Then secure it with the supplied hose clamp.



Perform the Vacuum Test (see **INSPECTIONS AND TESTS: TESTING** in the lifter's *OPERATING INSTRUCTIONS*).

REPLACEMENT PARTS



Reference No.	Stock No.	Description	Qty.
5	65126	Vacuum Pump — Wobble Piston Type — 5 SCFM [141.5 liters/minute]	1
11	65444	Vacuum Hose — 1/2" ID	*
7	65212	Check Valve — 1/4 MNPT — 1.0 PSI Cracking Pressure	1
2	54170	AC Vacuum Pump Conversion Mounting Plate	1
10	16212	Stainless Steel Hose Clamp — 1/2" to 1-1/8"	4
9	15106	Straight Fitting — 1/2" Barb x 1/4 MNPT	2
12	14154	Street Elbow — 1/4 NPT — Brass	1
8	14102	Elbow — 1/4 NPT — Brass	1
4	11114	Machine Screw Hex Nut — 1/4-20 Thread	4
3	10522	Flat Head Socket Cap Screw — 1/4-20 Thread x 1/2"	4
6	10383	Flat Head Phillips Machine Screw — 1/4-20 Thread x 5/8" — Zinc Plated	4

* Length as required; hose is sold by the foot (approx 30.5 cm).

**SERVICE ONLY WITH IDENTICAL REPLACEMENT PARTS
AVAILABLE AT WPG.COM OR THROUGH AN AUTHORIZED WPG DEALER**

LIMITED WARRANTY

Wood's Powr-Grip® (WPG) products are carefully constructed, thoroughly inspected at various stages of production, and individually tested. They are warranted to be free from defects in workmanship and materials for a period of one year from the date of purchase.

If a problem develops during the warranty period, follow the instructions below to obtain warranty service. If inspection shows that the problem is due to defective workmanship or materials, WPG will repair the product without charge.

Warranty does not apply when ...

- modifications have been made to the product after leaving the factory
- rubber portions have been cut or scratched during use;
- repairs are required due to abnormal wear and tear, and/or;
- the product has been damaged, misused or neglected.

If a problem is not covered under warranty, WPG will notify the customer of costs prior to repair. If the customer agrees to pay all repair costs and to receive the repaired product on a C.O.D. basis, WPG then will proceed with repairs.

To Obtain Repairs or Warranty Service

For purchases in *North America*:

Contact the WPG Technical Service Department. When factory service is required, ship the complete product – prepaid – along with your name, address and phone number to the street address listed at the bottom of this page. WPG may be reached by phone or fax numbers listed below.

For purchases in *all other localities*:

Contact your dealer or the WPG Technical Service Department for assistance. WPG may be reached by phone or fax numbers listed below.

Wood's Powr-Grip Co., Inc.
908 West Main St.
Laurel, MT 59044 USA

406-628-8231 (phone)
800-548-7341 (phone)
406-628-8354 (fax)

TYPE:	PROJECT	FILE DIRECTORY:	831-2019
		FILE (SHEET):	60310-01-01-W01 [W01]
THIS DRAWING IS THE PROPERTY OF WOOD'S POWER-GRIP CO., INC. IT IS LOANED WITH THE UNDERSTANDING THAT NEITHER IT NOR ANY INFORMATION CONTAINED THEREIN WILL BE COPIED, PUBLISHED OR TRANSMITTED TO OTHERS WITHOUT EXPRESS WRITTEN PERMISSION. WOOD'S POWER-GRIP CO., INC. LAUREL, MONTANA U.S.A.			
1000LB MANUAL-ROTATOR/POWER-TILTER PUMP WITH MOTOR FILTER 120/240VAC 5SCFM WOBBLE PISTON VAC PMP WIRING SCHEMATIC 60310-01-01-W01 [W01]			
SIZE:	SCALE:	REVISION:	ECN NUMBER:
A	NONE	00.D	VER 00.D
			06/24/2020
			ECN BY: KMK
			EST. WEIGHT: N/A

WIRE LEGEND: CONTROLLED BY WIRING SYMBOLS DRAWING EXCEPT AS NOTED AND BELOW.	DATE:
LINE STYLES AND WIDTHS FOR WIRE UNLESS NOTED OTHERWISE.	02/05/2016
..... N/A 18AWG N/A 16AWG	
N/A 14AWG N/A	
PRODUCT MANAGER:	
BRYAN S.	
CHECKED:	7/12
APPROVED:	

