

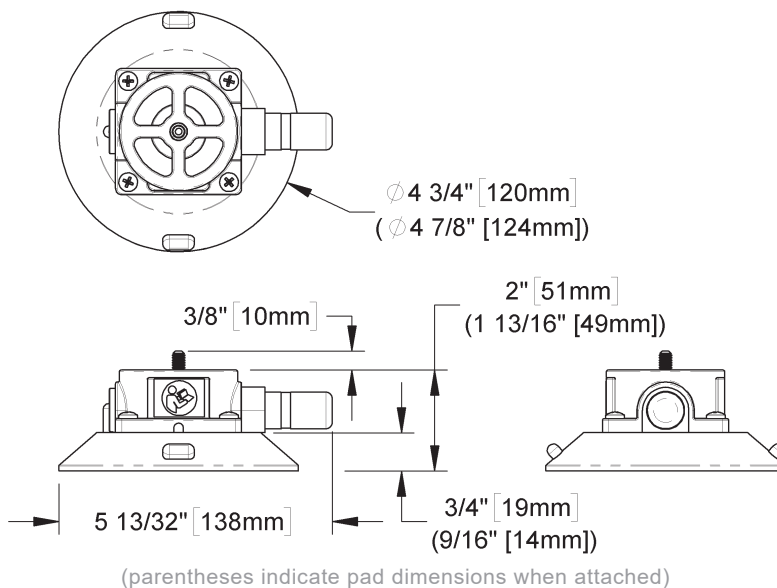
WOOD'S POWR-GRIP® LJ45AM

4-1/2" MOUNTING CUP WITH 1/4-20 X 3/8" THREADED STUD



This hand cup features 40 lbs [18 kg] capacity and provides a reliable, temporary mounting point for equipment, without marking or damaging most surfaces.

STOCK: 91200
 MODEL: LJ45AM
 CAPACITY: 40 lbs [18 kg]



THE ORIGINAL
 & TRUSTED NAME
 IN VACUUM LIFTING
 EQUIPMENT

800.548.7341
 WPG.com

908 West Main - P.O. Box 368
 Laurel, Montana 59044 U.S.A.
 406.628.8231 (phone)
 406.628.8354 (fax)

Wood's Powr-Grip products are sold through authorized dealers.

Rev. 0.2/06-19 Spec. Sheet **91200**

| | |
|--|---|
| Maximum Load Capacity | 40 lbs [18 kg] |
| Features | Eliminates the need for drilling holes when mounting equipment Red-line indicator warns user of any significant vacuum loss Supplied with pad protector to prevent damage |
| Options | Other stud lengths and threads available |
| Connection Point | 3/8" Long 1/4-20 Threaded Stud |
| Ideal Uses | Mounting equipment on smooth, nonporous surfaces |
| Height of Mounting Platform (not including stud) | 1-13/16" [49 mm] |
| Allowable Surface Curvature | Flat or Curved |
| Minimum Radius for Curved Loads | 12" [305 mm] |
| Material and Ambient Temperature Range | 0°F [-18° C] to 120° F [49° C] |
| Nominal Pad Diameter | 4-1/2" [11 cm] |
| Pad Model | LJ45 |
| Rubber Type | Standard |

Based on product information at time of publication. Environmental conditions can affect product performance and longevity; consult the product instructions on WPG.com or contact a Technical Sales Representative for more information.