

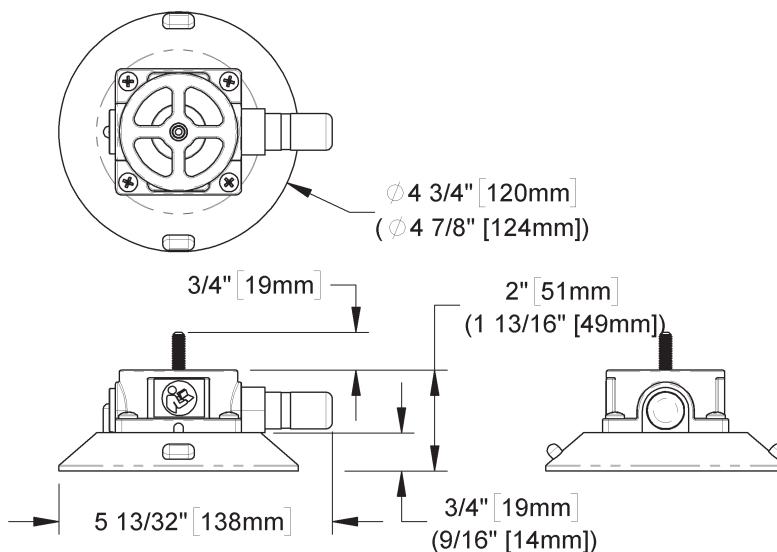
# WOOD'S POWR-GRIP® LJ45AM

## 4-1/2" MOUNTING CUP WITH 1/4-20 X 3/4" THREADED STUD



This hand cup features 40 lbs [18 kg] capacity and provides a reliable, temporary mounting point for equipment, without marking or damaging most surfaces.

STOCK: 91208  
 MODEL: LJ45AM  
 CAPACITY: 40 lbs [18 kg]



(parentheses indicate pad dimensions when attached)



THE ORIGINAL  
 & TRUSTED NAME  
 IN VACUUM LIFTING  
 EQUIPMENT

800.548.7341  
 WPG.com

908 West Main - P.O. Box 368  
 Laurel, Montana 59044 U.S.A.  
 406.628.8231 (phone)  
 406.628.8354 (fax)

Wood's Powr-Grip products are sold through authorized dealers.

Rev. 0.2/06-19 Spec. Sheet **91208**

<b>Maximum Load Capacity</b>	<b>40 lbs [18 kg]</b>
<b>Features</b>	Eliminates the need for drilling holes when mounting equipment Red-line indicator warns user of any significant vacuum loss Supplied with pad protector to prevent damage
<b>Options</b>	Other stud lengths and threads available
<b>Connection Point</b>	3/4" Long 1/4-20 Threaded Stud
<b>Ideal Uses</b>	Mounting equipment on smooth, nonporous surfaces
<b>Height of Mounting Platform</b> (not including stud)	1-13/16" [49 mm]
<b>Allowable Surface Curvature</b>	Flat or Curved
<b>Minimum Radius for Curved Loads</b>	12" [305 mm]
<b>Material and Ambient Temperature Range</b>	0°F [-18° C] to 120° F [49° C]
<b>Nominal Pad Diameter</b>	4-1/2" [11 cm]
<b>Pad Model</b>	LJ45
<b>Rubber Type</b>	Standard

Based on product information at time of publication. Environmental conditions can affect product performance and longevity; consult the product instructions on WPG.com or contact a Technical Sales Representative for more information.