

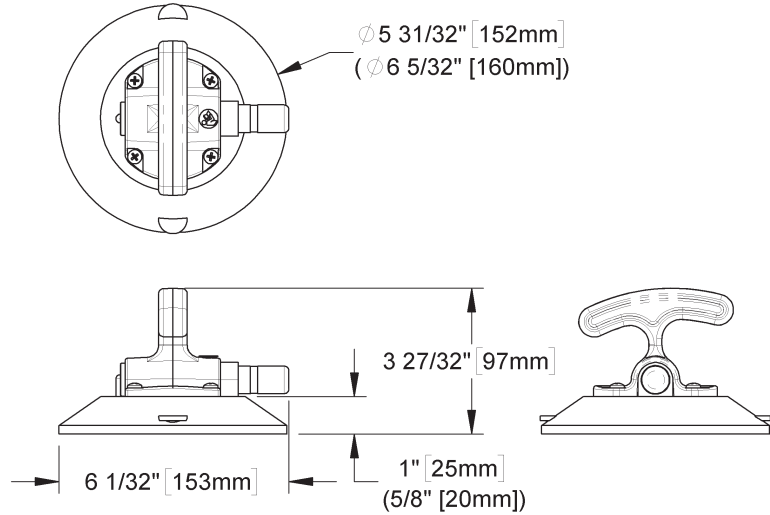
WOOD'S POWR-GRIP® TL6HG

6" HANDI-GRIP HAND CUP FOR FLAT AND CURVED SURFACES



This aluminum-handle cup has a lifting capacity 70 lbs [32 kg] and is capable of easily lifting and positioning a wide variety of items, including windshields, stone tiles, and sheet materials.

STOCK: 91316
 MODEL: TL6HG
 CAPACITY: 70 lbs [32 kg]



(information in parentheses indicate pad dimensions when attached)

Maximum Load Capacity	70 lbs [32 kg]
Features	Ergonomic handle allows precision control and placement Fast attach and release Red-line indicator warns user of any significant vacuum loss Supplied with vacuum pad protector
Surface Texture	Smooth
Material Porosity	Nonporous
Allowable Surface Curvature	Flat or Curved
Maximum Elevation	5,000 ft [1,500 m]
Minimum Radius for Curved Loads	12" [305 mm]
Material and Ambient Temperature Range	0°F [-18° C]–120° F [49° C]
Nominal Pad Diameter	6" [15 cm]
Pad Model	TL6
Rubber Type	Standard
Handle Type	Aluminum



THE ORIGINAL
 & TRUSTED NAME
 IN VACUUM LIFTING
 EQUIPMENT

800.548.7341
 WPG.com

908 West Main - P.O. Box 368
 Laurel, Montana 59044 U.S.A.
 406.628.8231 (phone)
 406.628.8354 (fax)

Wood's Powr-Grip products are sold through authorized dealers.

Based on product information at time of publication. Environmental conditions can affect product performance and longevity; consult the product instructions on WPG.com or contact a Technical Sales Representative for more information.