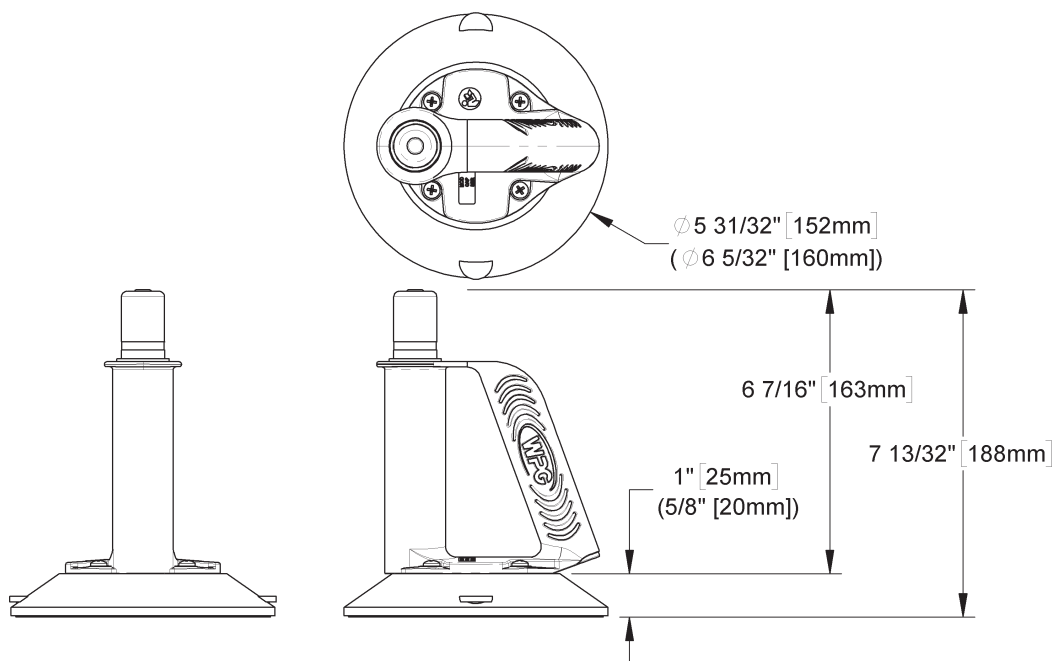


6" ANGLE-GRIP HAND CUP FOR FLAT OR CURVED SURFACES

MODEL: TL6AG
 STOCK: 91365CE

This lightweight and durable hand cup features an angled handle for a comfortable, confident grip. Ideal for removing and setting windshields!



(information in parentheses indicates dimensions when attached)

Maximum Load Capacity	70 lbs [32 kg] NOTE: This capacity is based on lifting material in the horizontal position with a 3:1 design factor (see INSTRUCTIONS for factors that affect capacity).
Features	<ul style="list-style-type: none"> • Fast attach and release • Red-line indicator warns user of any significant vacuum loss • Supplied with vacuum pad protector to prevent damage
Surface Texture	Smooth
Material Porosity	Nonporous
Surface Curvature	Flat or Curved
Minimum Radius for Curved Loads	12" [305 mm]
Maximum Elevation	5,000' [1,524 m]
Material and Ambient Temperature Range	10° F [-12° C] — 120° F [49° C]
Nominal Pad Diameter	6" [15 cm]
Pad Model	TL6
Rubber Type	Standard
Handle Type	Industrial-Grade Plastic
Plunger Type	Industrial-Grade Plastic
Based on product information at time of publication. Environmental conditions can affect product performance and longevity; consult the product instructions on WPG.com or contact a Technical Sales Representative for more information.	

