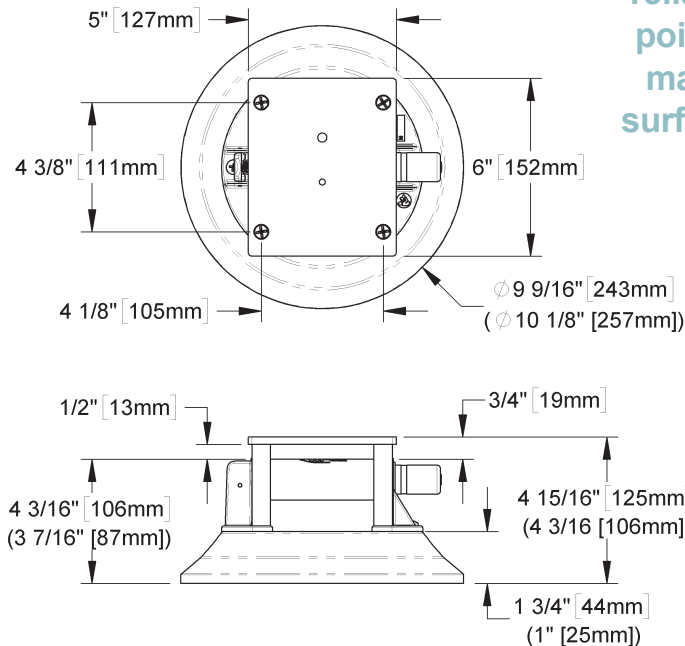




STOCK: 91764
MODEL: N6000P
CAPACITY: 175 lbs [79 kg]

WOOD'S POWR-GRIP® N6000P 10" HAND CUP WITH MOUNTING PLATE

This hand cup provides a reliable, temporary mounting point for equipment, without marking or damaging most surfaces. Not for use with thin or fragile materials.



**THE ORIGINAL
& TRUSTED NAME
IN VACUUM LIFTING
EQUIPMENT**

800.548.7341
WPG.com

908 West Main - P.O. Box 368
 Laurel, Montana 59044 U.S.A.
 406.628.8231 (phone)
 406.628.8354 (fax)

Maximum Load Capacity	175 lbs [79 kg]
Features & Benefits	Also attaches to flat surfaces (but requires more pumping) Eliminates the need for drilling holes when mounting equipment Red-line indicator warns user of any significant vacuum loss High capacity
Connection Point	1/4-20 and 3/8-16 threaded holes
Ideal Uses	Mounting equipment on smooth, nonporous surfaces
Surface Curvature	Curved
Minimum Radius for Curved Loads	13" [330 mm]
Minimum Material Thickness	1/4" [6.35 mm]
Material and Ambient Temperature Range	10°F [-12° C] up to 120° F [49° C]
Nominal Pad Diameter	10" [25 cm]
Pad Model	G0750
Rubber Type	Standard

Based on product information at time of publication. Environmental conditions can affect product performance and longevity; consult the product instructions on WPG.com or contact a Technical Sales Representative for more information.

Wood's Powr-Grip products are sold through authorized dealers.