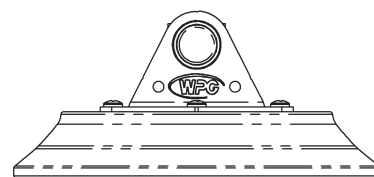
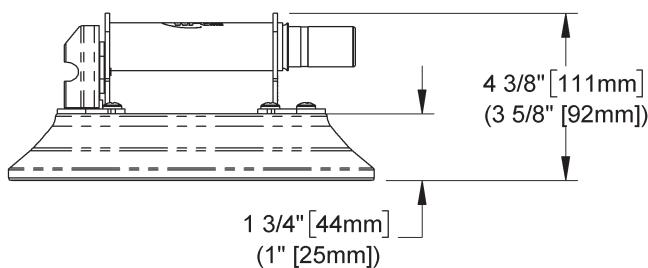
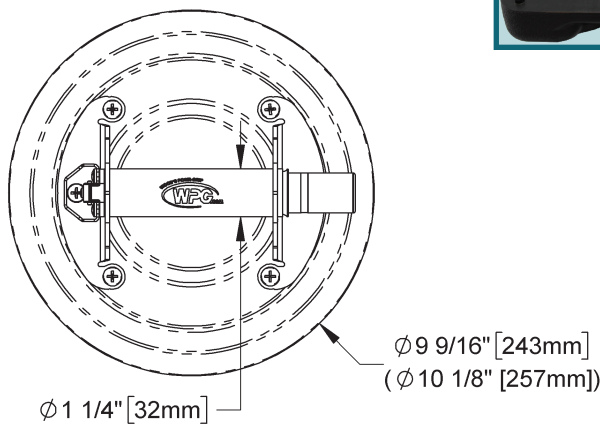


10" HAND CUP FOR CURVED SURFACES

MODEL: N6450
 STOCK: 91800

This metal-handle cup attaches easily to curved, nonporous surfaces. Not for use with thin or fragile materials.



(information in parentheses indicates dimensions when attached)

Maximum Load Capacity	175 lbs [79 kg]
Features	Durable metal handle Red-line indicator warns user of any significant vacuum loss Eligible for WPG Hand Cup Exchange Program Supplied with protective carrying case
Surface Texture	Smooth
Material Porosity	Nonporous
Allowable Surface Curvature	Curved
Minimum Radius for Curved Loads	13" [330 mm]
Minimum Material Thickness	1/4" [6.35 mm] (for typical glass handling)
Maximum Elevation	5,000 ft [1,524 m]
Material and Ambient Temperature Range	10° F [-12° C] – 120° F [49° C]
Ideal Uses	Smooth, Nonporous, Curved Surfaces
Nominal Pad Diameter	10" [25 cm]
Pad Model	G0750
Rubber Type	Standard
Handle Type	Metal
Based on product information at time of publication. Environmental conditions can affect product performance and longevity; consult the product instructions on WPG.com or contact a Technical Sales Representative for more information.	

