

KEEP FOR FUTURE REFERENCE

INSTRUCTIONS FOR USE



908 W. Main • P.O. Box 368
Laurel, MT USA 59044
800-548-7341 (phone)
406-628-8231 (phone)
406-628-8354 (fax)
www.WPG.com

 **INTENDED FOR USE BY SKILLED
PROFESSIONALS • READ AND
UNDERSTAND BEFORE USING**



ALL-TERRAIN DOLLY



Stock number: 96670AM

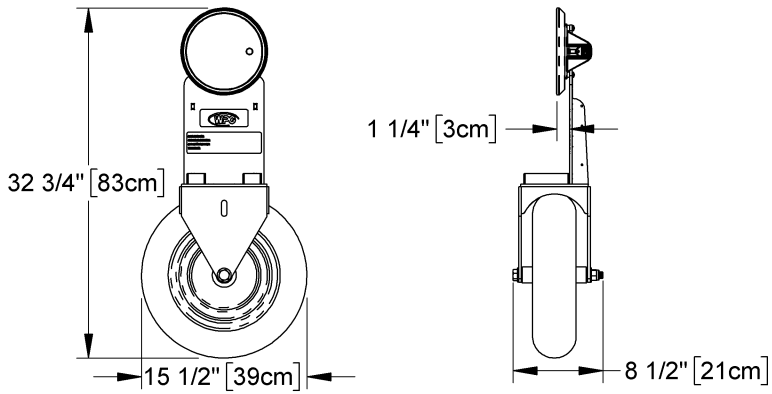


TABLE OF CONTENTS

SPECIFICATIONS	2
SAFETY	3
FEATURES.....	4
INTENDED USE	5
LOAD CHARACTERISTICS.....	5
OPERATING ENVIRONMENT	6
DISPOSAL OF THE DOLLY.....	6
USE	7
BEFORE USING THE DOLLY	7
Taking Safety Precautions	7
TO ATTACH THE DOLLY TO A LOAD.....	7
TO TRANSPORT THE LOAD	9
Monitoring the Red-Line Indicator.....	9
TO REMOVE THE DOLLY FROM THE LOAD	10
AFTER USING THE DOLLY	10
Transporting the dolly	10
Storing the dolly.....	10
INSPECTIONS, TESTS AND MAINTENANCE	11
REPLACEMENT PARTS.....	11
LIMITED WARRANTY	12
TO OBTAIN REPAIRS OR WARRANTY SERVICE.....	12

SPECIFICATIONS

Product Description	Designed for use with two or more people, this fixed-wheel device provides a way to transport glass or other materials over rough terrain, using vacuum to attach a load.
 Load Capacity	400 lbs [180 kg] with 3 or more users 200 lbs [90 kg] with 2 users <i>Note: For loads greater than 200 lbs [90 kg], 2 users must support the load while the 3rd user attaches the dolly to the load.</i>
Product Weight	17 lbs [7.7 kg]
 Operating Temperatures	10° — 120° F [-12° — 49° C]



SAFETY



Wear personal protective equipment that is appropriate for the load material. Follow trade association guidelines.



Do not use a dolly that is damaged, malfunctioning, or missing parts.



Do not remove or obscure safety labels.



Do not use a dolly if any warning appears to be missing or obscured.



Do not use the dolly if the sealing edge on the vacuum pad is cut or otherwise damaged.



Make sure the contact surfaces of the load and the vacuum pad are clean before using the dolly.



Do not use the dolly to transport cracked or broken glass.



Do not exceed the Maximum Load Capacity or transport loads the dolly is not designed for (see “[INTENDED USE](#)”).



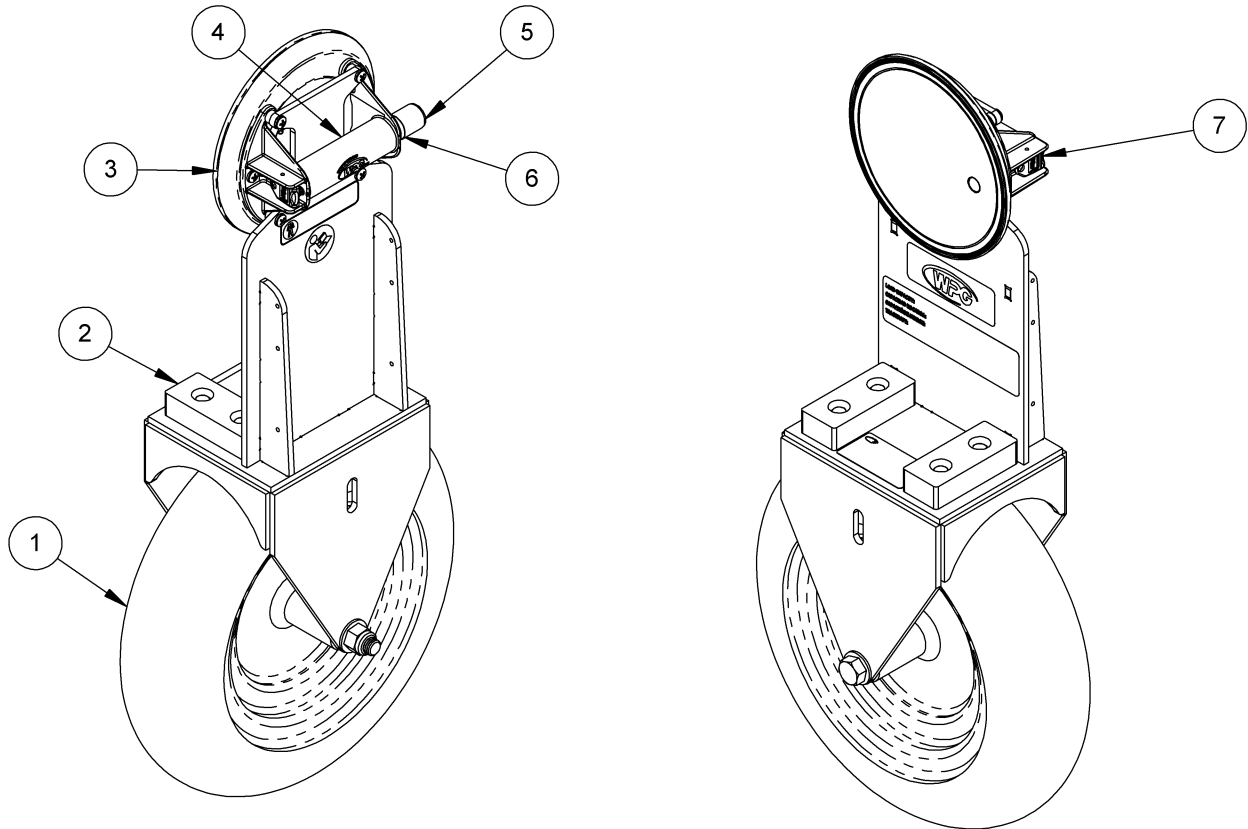
Make sure users are correctly positioned, to prevent injury in the event of an unexpected load release.



Do not make any modifications to the dolly (see “[LIMITED WARRANTY](#)”).

FEATURES

Features shown here are underlined on their first appearance in each section.



- | | | | | | |
|---|---------------------------|---|---------------|---|--------------------|
| 1 | WHEEL with PNEUMATIC TIRE | 2 | RUBBER BUMPER | 3 | VACUUM PAD |
| 4 | HAND CUP | 5 | PLUNGER | 6 | RED-LINE INDICATOR |
| 7 | VALVE RELEASE LEVER | | | | |


For information about specific parts, see [“REPLACEMENT PARTS”](#).

INTENDED USE

LOAD CHARACTERISTICS

Loads should be rectangular sheet materials and similar objects (eg, windows, flat glass).


Make sure the dolly is intended to transport each load according to these requirements:

 **Do NOT use dolly to transport explosives, radioactive substances or other hazardous materials.**

- The load weight must not exceed the Maximum Load Capacity.



- The load must be a single piece of nonporous material with a flat and relatively smooth contact surface.¹

 **Do NOT attach dolly to rough or porous materials, such as unfinished wood or rough-cut stone.**


- The load can have a frame, provided that it does not protrude more than 1" from the load surface on the side where the vacuum pad is attached (see ["TO ATTACH THE DOLLY TO A LOAD"](#)).

- The load's surface temperature must not exceed the Operating Temperatures.²



- 72" [183 cm] is the load's maximum *height* for use with the dolly.

- The load's maximum *length* is determined by its allowable overhang.³

 **Do NOT use dolly if load material cannot support itself during transport.**

- Although load thickness is not restricted, it may affect the lifter's tilt angle and the amount of operator effort required for handling loads.

Note: Standard vacuum pads can stain or deform load surfaces with light colors or soft coatings. Test such surfaces for damaging effects before using the dolly.⁴

1..... A "single piece" of material includes curtainwall assemblies, unitized glazing systems and similar construction units.

2..... Vacuum pads made from a heat-resistant rubber compound can enable you to lift loads with higher surface temperatures. Contact WPG or an authorized dealer for more information.

3..... The allowable overhang is the amount of load material that can extend sideways beyond the dolly without breaking or otherwise being damaged. This depends on the load material, its thickness, and the angle of handling (if any). Since every material has different physical properties, the allowable overhang must be evaluated separately for each load type. Contact WPG or an authorized dealer for more information.

4..... Alternative rubber compounds are available for these purposes. Contact WPG or an authorized dealer for more information.

INTENDED USE

OPERATING ENVIRONMENT

Make sure the dolly is intended for use in each work environment, given the following restrictions:

- This dolly is not intended for any environment that is dangerous to the operator or damaging to the dolly.
- Do not use dolly in rain or other unsuitable conditions.
- The work environment is limited by Operating Temperatures.



Never use dolly in dangerous environments.



Moisture on contact surface of load or vacuum pad may cause unexpected load release and personal injury.



DISPOSAL OF THE DOLLY

Dispose of the dolly in compliance with all local codes and applicable regulatory standards.

BEFORE USING THE DOLLY

Make sure the dolly is capable of performing each intended task, and determine the number of users needed (see “SPECIFICATIONS” and “[INTENDED USE](#)”).

Remove all shipping materials and save them with the shipping container for future use.

Taking Safety Precautions

- Read and understand the provided hand cup instructions.
- Be trained in all industry and regulatory standards for using the dolly in your region.
- Follow trade association guidelines about precautions needed for each load material.
- Check the pressure of the pneumatic tire. If needed, fill to the recommended level marked on the tire.¹ Then make sure all other parts are fully functional.



Read all directions and safety rules before using dolly.



Always wear appropriate personal protective equipment.



Do not exceed pressure indicated on tire.

TO ATTACH THE DOLLY TO A LOAD

Note: Additional Powr-Grip® hand cups can be used to ease attachment.

- 1) Clean the face of the vacuum pad (fig. 1A) and the rubber bumpers using soapy water or other mild cleansers to remove any oil, dust and other contaminants. Then allow them to dry.



- 2) Starting with a load in the upright orientation, attach the dolly either to a vertical edge or to the lower, horizontal edge.

¹..... The tire pressure may be set to adjust for the type of terrain, the weight of the load or another determining factor.

USE

- For *vertical attachment*, center the dolly between the top and bottom of one vertical edge of the load.
- For *horizontal attachment*, one or more users must lift a corner of the load while another user centers the dolly from end to end on the bottom edge of the load.



Always use proper technique to lift load.

3) Apply pressure to the dolly so that the rubber bumpers fit tightly against the edge of the load and so the vacuum pad fits tightly against the load surface.

4) Pump the plunger until the red-line indicator stays hidden (figs. 4A-B), indicating that the vacuum pad is securely attached.



5) After the dolly is attached, allow the weight of the load to rest on the bumpers. This may require you to rotate the load edgewise.

Caution: *The dolly should never be left unattended while attached to a load.*



Make sure rubber bumpers support full weight of load.

TO TRANSPORT THE LOAD

Perform the following actions concurrently:

- Position a user at each end, to guide the load and ensure its stability.

Note: Each user should support no more than 50 lbs [23 kg] of the load weight while the dolly is in use.

- Make sure the load stays upright, with a minimum angle of tilt.



Keep load upright during transport.

Caution: Do not allow the load to tilt more than 15° out of the vertical plane.¹ Exceeding this angle can result in load breakage, load release and personal injury (see “LOAD CHARACTERISTICS”).

- Move and stop the dolly as needed, making sure all users assist in controlling speed and stability.

Monitoring the Red-Line Indicator



Always monitor red-line indicator when dolly is in use.

Check the red-line indicator (circled in fig. 1B) frequently, to make sure the vacuum pad is securely attached to the load. If the red line appears while the dolly is in use, one user must repump the plunger until the red line stays hidden again, while the remaining users support the load (see “TO ATTACH THE DOLLY TO A LOAD”). If the hand cup does not maintain vacuum, discontinue use until the fault is corrected (see hand cup instructions).

1B



Do not attempt to support a load with the dolly while the red-line indicator is visible; such an attempt could result in a load release and personal injury.



Do not use dolly to support load when red-line indicator is visible.

1..... It may be necessary to limit the angle more than this, depending on the strength of load material or the roughness of terrain.

To REMOVE THE DOLLY FROM THE LOAD



Make sure load is fully supported before releasing vacuum pad.

- 1) As one of more users continue to maintain load stability, carefully set one corner of the load on the ground or a stable support until there is no load weight on the dolly.
- 2) When necessary, rotate the load 90° edgewise, to provide better access to the dolly and/or to position the load.
- 3) Press the valve release lever until the vacuum pad disengages completely from the load (fig. 3A).

Note: Make sure to keep a firm grasp on the dolly, to prevent it from falling when released.



Always use proper technique to lift load.



Remove the dolly and set it aside. The other user(s) can now carefully set down the other corner of the load.

AFTER USING THE DOLLY

Caution: Do not set dolly against any surface that could soil or damage vacuum pad.

Use the cover supplied to keep the vacuum pad clean (fig. 1B).

1B



Transporting the dolly

Secure the dolly in the original shipping container with the original shipping materials or equivalent.

Storing the dolly

Store the dolly in a clean, dry location.

INSPECTIONS, TESTS AND MAINTENANCE

Although the dolly requires little maintenance, it must be inspected routinely:

- **Before each use:** Make sure that the vacuum pad and rubber bumpers are in good condition and free of contaminants or debris. If not, clean or replace the surfaces as necessary (see “[TO ATTACH THE DOLLY TO A LOAD](#)” and “REPLACEMENT PARTS” below).
- **Every 20-40 hours of use:** Inspect the wheel and pneumatic tire for damage, proper tire pressure, and to verify ease of movement.
- **Every 250-400 hours of use:** Inspect other “FEATURES” on page 4 for any damage or deficiency.

If any fault is found, correct it and perform the next most frequent inspection before using the dolly.

REPLACEMENT PARTS

Stock No.	Description	Qty.
91401	8" [20 cm] Hand Cup with ABS Handle	1
66493	Wheel with 15¼" OD Pneumatic Tire	1
49290	Rubber Bumper	2
29350	Nylon Pad Cover	1

**SERVICE ONLY WITH IDENTICAL REPLACEMENT PARTS,
AVAILABLE AT WPG.COM OR THROUGH AN AUTHORIZED WPG DEALER**

LIMITED WARRANTY

Wood's Powr-Grip® (WPG) products are carefully constructed, thoroughly inspected at various stages of production, and individually tested. They are warranted to be free from defects in workmanship and materials for a period of one year from the date of purchase.

If a problem develops during the warranty period, follow the instructions below to obtain warranty service. If inspection shows that the problem is due to defective workmanship or materials, WPG will repair the product without charge.

Warranty does not apply when ...

- modifications have been made to the product after leaving the factory
- rubber portions have been cut or scratched during use;
- repairs are required due to abnormal wear and tear, and/or;
- the product has been damaged, misused or neglected.

If a problem is not covered under warranty, WPG will notify the customer of costs prior to repair. If the customer agrees to pay all repair costs and to receive the repaired product on a C.O.D. basis, then WPG will proceed with repairs.

TO OBTAIN REPAIRS OR WARRANTY SERVICE

For purchases in *North America*:

Contact the WPG Technical Service Department. When factory service is required, ship the complete product – prepaid – along with your name, address and phone number to the street address listed at the bottom of this page. WPG may be reached by phone or fax numbers listed below.

For purchases in *all other localities*:

Contact your dealer or the WPG Technical Service Department for assistance. WPG may be reached by phone or fax numbers listed below.

Wood's Powr-Grip Co., Inc.

908 West Main St.

Laurel, MT 59044 USA

406-628-8231 (phone)

800-548-7341 (phone)

406-628-8354 (fax)

