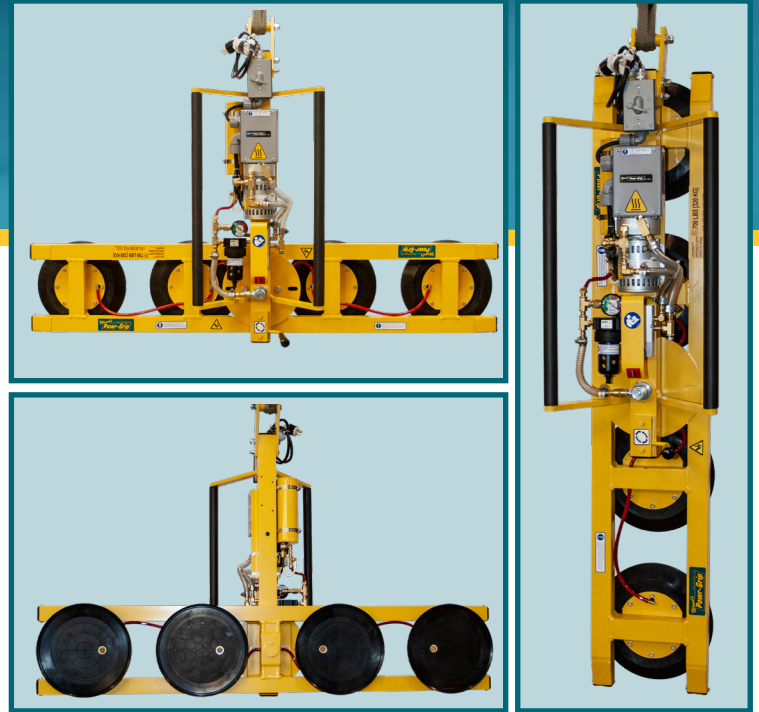


# LINEAR PAD FRAME

STOCK: 57952

By providing support along the length of the load surface and reducing load overhang, the long, narrow shape of this pad frame enables the operator to handle much longer loads than standard pad frames can accommodate.



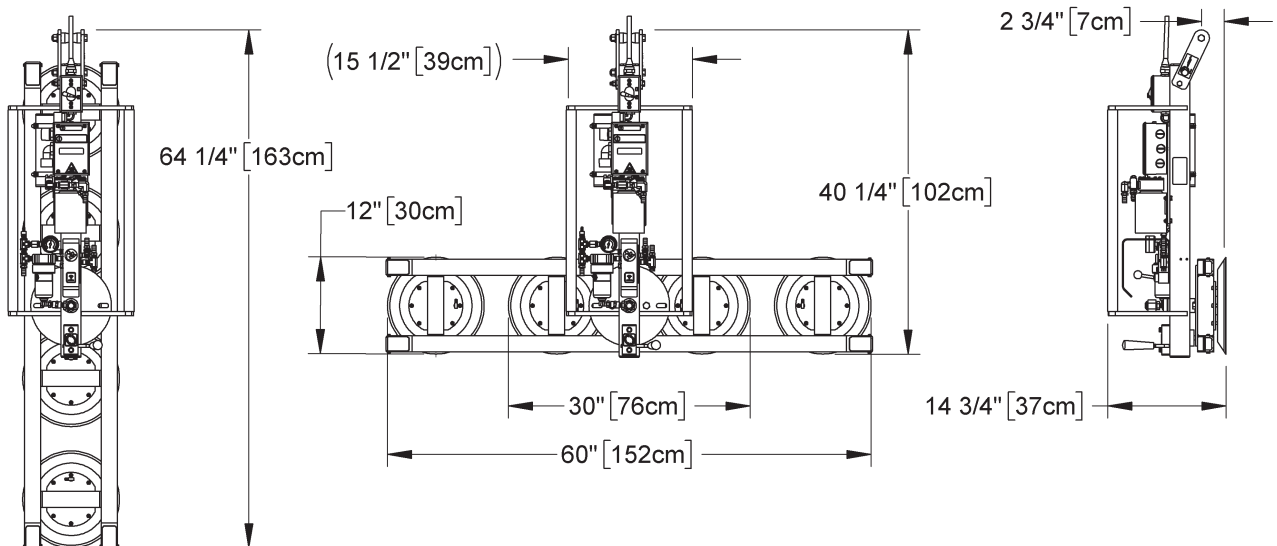
(Note: Product details may differ from photo.)

The Linear Pad Frame is available as a factory option for Powr-Grip® models MR4-AC, MR4-AIR and PR4-AIR. Please contact a Technical Sales Representative for additional information. **Note: This option must be ordered with the lifter.**

For a lifter equipped with the Linear Pad Frame, the Maximum Pad Spread is as follows:

With 9" [23 cm] diameter vacuum pads (VPFS9)	10" x 58" [25 cm x 147 cm]
With 10" [25 cm] diameter vacuum pads (FS10T)	11" x 59" [28 cm x 150 cm]
With 11" [28 cm] diameter vacuum pads (G3370)	12" x 60" [30 cm x 152 cm]

Note: This option adds 9 lbs [4 kg] to the Lifter Weight.



Model MR411LAC vacuum lifter shown equipped with Linear Pad Frame



Based on product information at time of publication.

Environmental conditions can affect product performance and longevity; consult the product instructions on [WPG.com](http://WPG.com) or contact a Technical Sales Representative for more information.