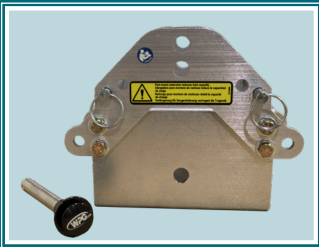


# WOOD'S POWR-GRIP® ADJUSTABLE SPACERS FOR MOVABLE PAD MOUNTS



These Adjustable Spacers are available for all Powr-Grip® vacuum lifters that are equipped with Movable Pad Mounts, including MRT4-DC, MRTA811LDC and MRTALP811LDC vacuum lifters. The option enables a vacuum lifter to handle windows with mullions or other loads with similar obstructions on the contact surface. However, it does reduce the lifting capacity in many instances. No tools are required, because cotterless hitch pins make installing or removing the Adjustable Spacers fast and easy, while maintaining all necessary safety standards.

In the same way as Movable Pad Mounts, Adjustable Spacers are designed for pad frames with a tube width of either 2" [51 mm] or 2-1/2" [63 mm]. The Adjustable Spacers also may be purchased with extension tubes of different sizes, as noted in the chart below, in order to extend the Movable Pad Mounts different distances from the pad frame. In addition, each Spacer is adjustable, to produce a greater or smaller extension distance, as required for your specific application. Please contact a Technical Sales Representative for more information.

Stock#	Frame Tube Size	Minimum Extension Distance	Maximum Extension Distance
93100	2" [51 mm]	2-1/16" [52 mm]	2-13/16" [71 mm]
93100AM	2" [51 mm]	3-1/16" [78 mm]	3-13/16" [97 mm]
93101	2-1/2" [63 mm]	2-9/16" [65 mm]	3-5/16" [84 mm]
93101AM	2-1/2" [63 mm]	3-9/16" [90 mm]	4-5/16" [109 mm]

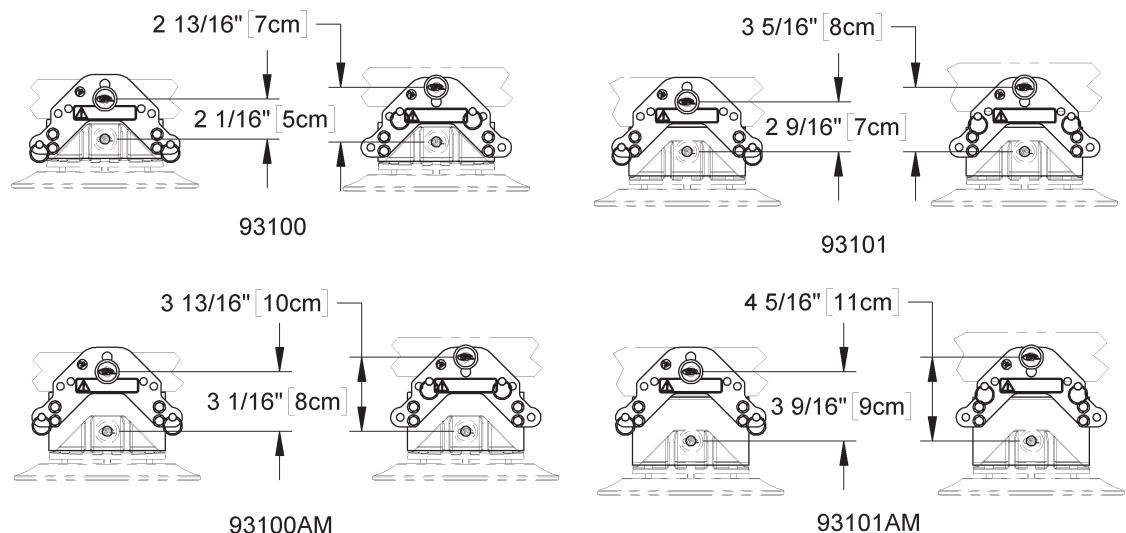


THE ORIGINAL  
& TRUSTED NAME  
IN VACUUM LIFTING  
EQUIPMENT

800.548.7341  
WPG.com

908 West Main - P.O. Box 368  
Laurel, Montana 59044 U.S.A.  
406.628.8231 (phone)  
406.628.8354 (fax)

## ADJUSTABLE SPACERS SHOWN MOUNTED ON PAD FRAME TUBES.



Based on product information at time of publication. Environmental conditions can affect product performance and longevity; consult the product instructions on WPG.com or contact a Technical Sales Representative for more information.