

**KEEP FOR FUTURE REFERENCE**



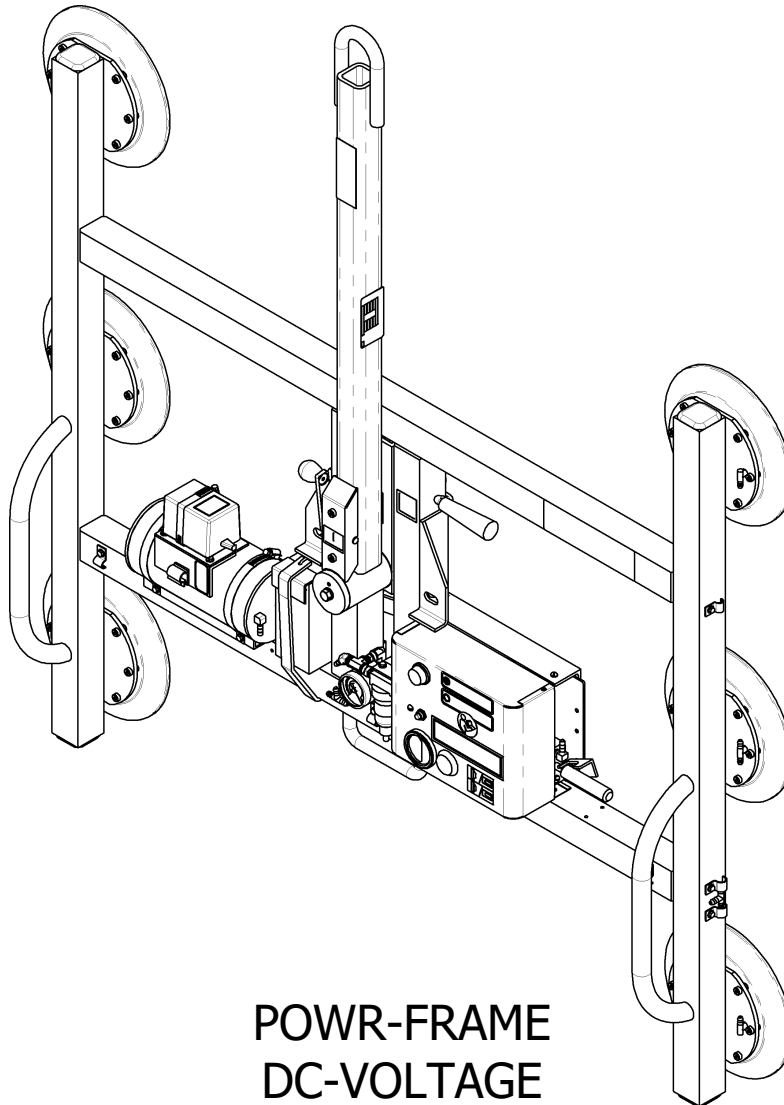
**P.O. Box 368 – 908 West Main  
Laurel, MT USA 59044  
phone 800-548-7341  
phone 406-628-8231  
fax 406-628-8354**

# INSTRUCTIONS

International Version

MODEL NUMBERS: PFHS69DC, PFHL69DC,  
PFV69DC, PFHS89DC, PFHL89DC

SERIAL NUMBER: \_\_\_\_\_  
(please see serial label and record number here)



**POWR-FRAME  
DC-VOLTAGE**



***READ ALL INSTRUCTIONS AND WARNINGS  
BEFORE OPERATING THIS LIFTER***



**DESIGNED FOR THE MATERIALS HANDLING PROFESSIONAL**



# TABLE OF CONTENTS

---

<b>SPECIFICATIONS</b> .....	<b>3</b>
<b>WARNINGS</b> .....	<b>4</b>
<b>OPERATING FEATURES</b> .....	<b>5</b>
<b>ASSEMBLY</b> .....	<b>6</b>
<b>INTENDED USE</b> .....	<b>7</b>
<b>LOAD CHARACTERISTICS</b> .....	<b>7</b>
<b>OPERATING ENVIRONMENT</b> .....	<b>8</b>
<b>DISPOSAL OF THE LIFTER</b> .....	<b>8</b>
<b>OPERATION</b> .....	<b>9</b>
<b>BEFORE USING THE LIFTER</b> .....	<b>9</b>
Taking Safety Precautions.....	9
Performing Inspections and Tests.....	9
<b>TO APPLY THE PADS TO A LOAD</b> .....	<b>10</b>
Positioning the Lifter on the Load .....	10
Sealing the Pads against the Load .....	10
Reading the Vacuum Gauge.....	11
Vacuum Level on Optimal Surfaces.....	11
Vacuum Level on Other Surfaces.....	11
<b>TO LIFT AND MOVE THE LOAD</b> .....	<b>12</b>
Positioning the Lift Bar .....	12
Load Capacity and the Warning Light.....	12
Monitoring Vacuum Indicators.....	12
Monitoring the Low Vacuum Warning Buzzer (if applicable) .....	13
Controlling the Lifter and Load .....	13
In Case of Power Failure.....	13
<b>TO ROTATE THE LOAD EDGEWISE</b> .....	<b>14</b>
<b>TO TILT THE LOAD</b> .....	<b>15</b>
<b>TO RELEASE THE PADS FROM THE LOAD</b> .....	<b>15</b>
<b>AFTER USING THE LIFTER</b> .....	<b>16</b>
Storing the Lifter.....	16
<b>MAINTENANCE</b> .....	<b>17</b>
<b>INSPECTION SCHEDULE</b> .....	<b>17</b>
Every-Lift Inspection .....	17
Frequent Inspection .....	17
Periodic Inspection.....	17
Infrequent Use .....	18
<b>TESTING SCHEDULE</b> .....	<b>18</b>
Operational Tests.....	18
Load Test.....	18
<b>MAINTENANCE SCHEDULE</b> .....	<b>19</b>

<b>BATTERY TEST .....</b>	<b>19</b>
<b>BATTERY RECHARGE .....</b>	<b>20</b>
<b>BATTERY CHARGER TEST .....</b>	<b>20</b>
<b>VACUUM PAD MAINTENANCE.....</b>	<b>20</b>
Friction Coefficient .....	20
Inspection .....	21
Cleaning.....	21
<b>VACUUM TEST .....</b>	<b>22</b>
<b>AIR FILTER MAINTENANCE – SMALL .....</b>	<b>23</b>
Filter Function and Conditions Requiring Service .....	23
Filter Service Procedures .....	23
<b>VACUUM PUMP MAINTENANCE – DYNAFLO DV1032102 .....</b>	<b>24</b>
Replacing the Diaphragm.....	24
Replacing the Head Assembly .....	24
<b>VACUUM PUMP MAINTENANCE – THOMAS 107CDC20.....</b>	<b>25</b>
Replacing the Diaphragm.....	25
Replacing the Intake Valve Flapper.....	25
Replacing the Exhaust Valve Flapper and Head Gasket.....	25
<b>VACUUM SWITCH ADJUSTMENT .....</b>	<b>26</b>
Vacuum Switch Function.....	26
Conditions Requiring Readjustment .....	26
Adjustment Procedure .....	27
<b>REPLACEMENT PARTS LIST.....</b>	<b>28</b>
<b>LIMITED WARRANTY .....</b>	<b>29</b>

# SPECIFICATIONS

Model Number:	<b>6 Vacuum Pads</b>	<b>8 Vacuum Pads</b>
<b>Vertical Configuration:</b>	PFV69DC	—
<b>Horizontal / Small Configuration:</b>	PFHS69DC	PFHS89DC
<b>Horizontal / Large Configuration:</b>	PFHL69DC	PFHL89DC
<b>Maximum Pad Spread:</b> (to outer edges)		
<b>Vertical Configuration:</b>	57½" x 46½" [1463 x 1184 mm]	—
<b>Horizontal / Small Configuration:</b>	37½" x 46½" [955 x 1184 mm]	39½" x 47½" [1006 x 1209 mm]
<b>Horizontal / Large Configuration:</b>	46½" x 57½" [1184 x 1462 mm]	39½" x 59½" [1006 x 1514 mm]
<b>Lifter Weight:</b> (for larger configurations)	100 lbs [46 kg]	130 lbs [59 kg]
<b>Load Capacity:</b> (rated at 16" Hg [-54 kPa] on clean, smooth, nonporous flat surfaces <sup>1</sup> )		
<b>Per-Pad:</b>	125 lbs [56.5 kg]	125 lbs [57 kg]
<b>Maximum:</b>	700 lbs [320 kg]	1000 lbs [455 kg]
<b>Description:</b>	<div style="display: flex; align-items: center;"> <div style="font-size: 2em; margin-right: 10px;">CE</div> <div> <p>Designed for use with a crane or other hoisting equipment, PF-9DC lifters employ vacuum to hold a load for lifting, and they provide manual 180° rotation and manual 90° tilt movements for load manipulation.</p> </div> </div>	
<b>Power Source:</b>	12 volts DC, 10 amps (with Thomas pump) or 3.5 amps (with Dynaflo pump)	
<b>Battery Capacity:</b>	7 amp-hours	
<b>Vacuum Pads:</b>	9" [23 cm] nominal diameter (Model VPFS9), standard rubber, spring-mounted (¼" [7 mm] travel), with #60 filter screen	
<b>Rotation Capability:</b>	Manual, 180°, with automatic locking at each ¼ revolution (when desired)	
<b>Tilt Capability:</b>	Manual, 90°, with automatic locking in vertical position	
<b>Vacuum Pump:</b>	Diaphragm type, 1 SCFM [28 liters/minute] nominal airflow	
<b>Vacuum Reserve Tank:</b>	Vacuum reservoir helps prevent immediate vacuum loss in case of power failure and extends battery life by reducing pump cycles required to maintain vacuum.	
<b>Vacuum Gauge:</b>	Dial gauge indicates current vacuum level in positive inches of Hg and negative kPa.	
<b>Low Vacuum Warning Light:</b>	Red light is energized until vacuum level is sufficient to lift maximum load weight (higher than 16" Hg [-54 kPa]) and whenever vacuum loss causes pump to re-engage.	
<b>Low Vacuum Warning Buzzer (if applicable):</b>	Maximum Alarm Volume = 103 dBA at 2' [60 cm]. While lifter is powered up, audible alarm warns the operator whenever vacuum is not sufficient for lifting the maximum load weight.	
<b>Options:</b>	See separate instructions about optional features.	
<b>Operating Elevation:</b>	Maximum = 6,000' [1,828 m]	
<b>Operating Temperatures:</b>	32° to 104° F [0° to 40° C]	
<b>Service Life:</b>	This lifter is designed to have a service life of 20,000 lifting cycles, when used and maintained as intended. Vacuum pads, filter elements and other wear-out items are excluded; see MAINTENANCE and REPLACEMENT PARTS LIST for more information. For the DISPOSAL OF THE LIFTER after its service life, see INTENDED USE.	
<b>ASME Standard BTH-1:</b>	Design Category "B", Service Class "0" (see <a href="http://www.wpg.com">www.wpg.com</a> for more information)	

**!!-CE-!!** Note: This symbol appears in the *INSTRUCTIONS* manual only when requirements of a CE Standard are *different* from requirements of other standards that also apply to this vacuum lifter. CE requirements are mandatory in geographical areas where CE Standards apply, but may be optional in other locations.

<sup>1</sup> Load Capacity is based on a friction coefficient of 1; see MAINTENANCE: VACUUM PAD MAINTENANCE: Friction Coefficient for additional information.

# WARNINGS

---



Powr-Grip is pleased to offer the most reliable vacuum lifters available. Despite the high degree of security provided by this product, certain precautions must be observed to protect the operator and others.



**Always** wear personal protective equipment that is appropriate for the material being handled. Follow trade association guidelines.

**Always** operate the lifter under conditions approved for its design (see INTENDED USE: OPERATING ENVIRONMENT).

**Never** operate a lifter that is damaged, malfunctioning, or missing parts.

**Never** operate a lifter if the sealing edge of any vacuum pad is cut or otherwise damaged.

**Never** remove or obscure warning labels.

**Never** operate a lifter if the Maximum Load Capacity or any warning appears to be missing or obscured.

**Always** make certain the contact surfaces of the load and all vacuum pads are clean prior to attaching the pads (see MAINTENANCE: VACUUM PAD MAINTENANCE).

**Never** exceed the Maximum Load Capacity or attempt to lift loads that the lifter is not designed for (see INTENDED USE: LOAD CHARACTERISTICS).

**Never** attempt to lift cracked or broken glass with this lifter.

**Always** position the vacuum pads correctly on the load prior to lifting (see OPERATION: To ATTACH THE PADS TO A LOAD).

**Never** lift a load when any vacuum indicator shows inadequate vacuum.

**Never** touch the vacuum release controls during a lift. This may result in loss of vacuum and release of the load.

**Never** allow people to ride on the lifter or the load being lifted.

**Never** lift a load higher than necessary or leave suspended loads unattended.

**Never** lift a load over people.

**Always** keep other personnel far enough away from the lifter to avoid injury in the event of an unexpected load release.

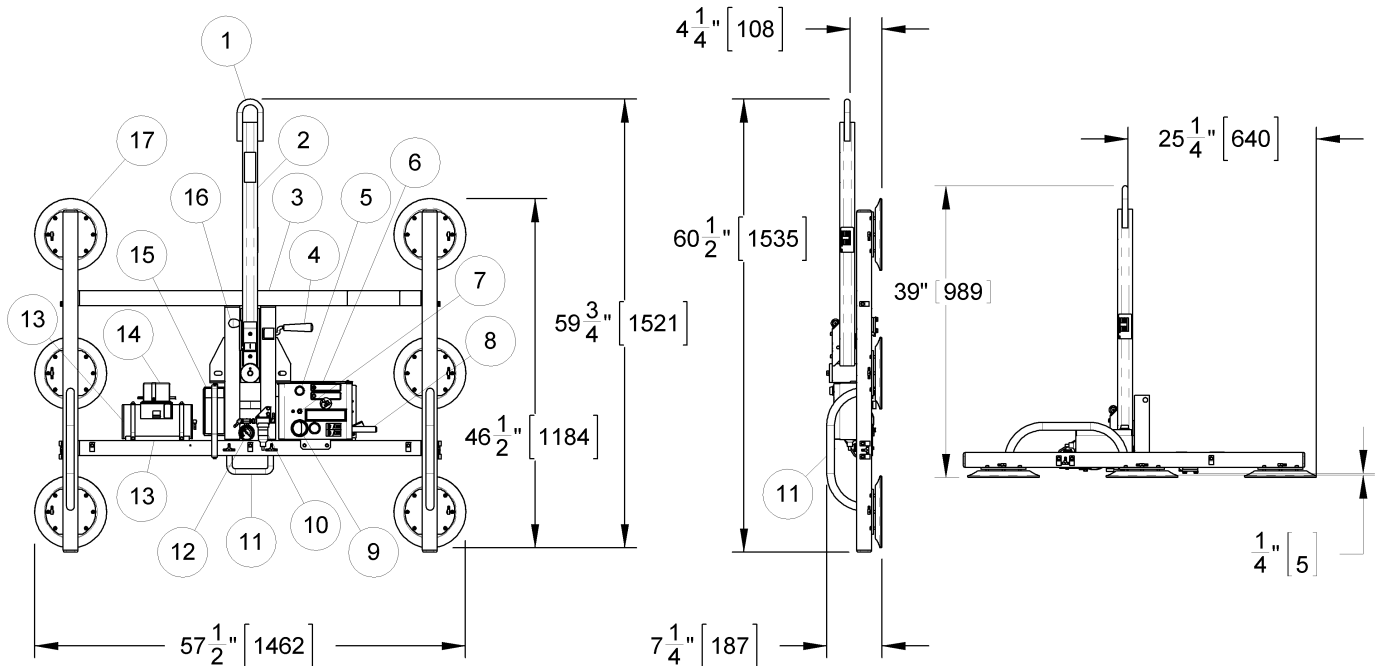
**Always** place the power control in the inactive position and, when possible, disconnect the power source before opening any enclosure on the lifter. (Only applicable to powered lifters)

**Always** remember that modifications to the lifter could compromise its safety. Wood's Powr-Grip cannot be responsible for the safety of a lifter that has been modified by others. For consultation, contact Wood's Powr-Grip (see LIMITED WARRANTY).

**Never** disengage both the rotation latch and the tilt latch at the same time.

# OPERATING FEATURES

Note: Components featured in the following instructions for assembling, operating or maintaining the vacuum lifter are underlined> on their first appearance in each section.



Standard PFHL69DC shown.

- |                                                                                            |                       |                           |
|--------------------------------------------------------------------------------------------|-----------------------|---------------------------|
| 1 LIFT BAIL                                                                                | 7 BATTERY TEST BUTTON | 12 VACUUM GAUGE           |
| 2 LIFT BAR                                                                                 | 8 VALVE HANDLE        | 13 VACUUM RESERVE TANK    |
| 3 PAD FRAME                                                                                | 9 BATTERY GAUGE       | 14 BATTERY CHARGER        |
| 4 TILT RELEASE LEVER                                                                       | 10 AIR FILTER         | 15 BATTERY                |
| 5 LOW VACUUM WARNING LIGHT                                                                 | 11 CONTROL HANDLES    | 16 ROTATION RELEASE LEVER |
| 6 Enclosure with VACUUM PUMP, VACUUM SWITCH, and LOW VACUUM WARNING BUZZER (if applicable) | 17 VACUUM PAD         |                           |

# ASSEMBLY

---

- 1) Open the shipping container and remove all materials for restraining or protecting the vacuum lifter. Save the container for use whenever lifter is transported.
- 2) Suspend the lifter from a crane as follows: Select hoisting equipment (crane and hoist, when applicable) rated to carry the maximum load weight plus the lifter weight (see SPECIFICATIONS: Maximum Load Capacity and Lifter Weight).

Note: Any application of the lifter must conform to all statutory or regulatory standards that relate to the hoisting equipment when used in its geographical location (eg, relevant OSHA standards in the USA).

Tilt the lifter upward on its parking feet (integrated in pad frame) high enough for the lift bar to move freely, without interference from the shipping container. Swing the lift bar to the center position of the 180° rotation range, where it latches in position automatically.

 **WARNING: Hoisting equipment hook must be fitted with restraining latch to prevent lift bail from slipping off under any circumstances.**

Disengage the tilt latch (see OPERATION: TO TILT THE LOAD) and raise the lift bar to a vertical orientation. Then attach the hoisting equipment hook to the lift bail.

Note: Some hoisting equipment hooks could interfere with an upright load that extends beyond the lifter's pad frame. If the load would contact the hook during lifter operation, the operator must prevent this by attaching a sling (or other rigging that does not interfere with the load) between the hook and the lift bail.

 **WARNING: Any sling used must be rated to carry maximum load weight plus lifter weight.**

Use the hoisting equipment to raise the lifter out of the shipping container. Be careful to avoid damaging any vacuum pads. Remove the pad covers and save them for use whenever the lifter is stored.

- 3) Connect the electrical connectors uniting the battery to the battery charger and the vacuum generating system. The lifter is now operational.
- 4) Perform Operational and Load Tests for the lifter as directed in MAINTENANCE: TESTING SCHEDULE.



# INTENDED USE

---

## LOAD CHARACTERISTICS

 **WARNING: This lifter is NOT intended for lifting hazardous materials, such as explosives or radioactive substances.**

The operator must verify that the lifter is intended to handle each load, in accordance with the following requirements:

- The load must not exceed the maximum allowable weight specified under Load Capacity (see SPECIFICATIONS).
- The load must be a single piece of nonporous or semiporous material with a flat and relatively smooth contact surface.<sup>2</sup> To determine whether the load is too porous or rough, perform the test under Vacuum Level on Other Surfaces (see OPERATION: TO ATTACH THE PADS TO A LOAD).
- The load's contact surface must be suitable for obtaining a friction coefficient of 1 with the lifter's vacuum pads (see MAINTENANCE: VACUUM PAD MAINTENANCE: Friction Coefficient), as verified by a friction test, or capacity should be derated appropriately. If necessary, contact Wood's Powr-Grip for help in conducting a friction test.
- In order to avoid damaging the vacuum pads, the load's surface temperature must not exceed the allowable Operating Temperatures (see SPECIFICATIONS). However, if such an application cannot be avoided, Wood's Powr-Grip does offer a heat-resistant rubber compound and other solutions that may enable you to lift loads with higher surface temperatures. Contact Wood's Powr-Grip or an authorized dealer for more information.
- While the *minimum* length and width of the load are determined by the Pad Spread (see SPECIFICATIONS), the *maximum* length and width are determined by the allowable overhang, or the amount of load material that can extend sideways beyond the vacuum pads without breaking or otherwise being damaged.

The allowable overhang depends on the kind of load material being lifted, the thickness of the material, and the angle at which it is handled (if any). Since materials such as glass, stone or sheet metal each have different physical properties, the allowable overhang must be evaluated separately for each type of load. If necessary, contact Wood's Powr-Grip or an authorized dealer for help in determining the recommended overhang in a specific situation.

- 1" [2.5 cm] is the maximum allowable thickness of loads at the maximum weight (see SPECIFICATIONS: Maximum Load Capacity). However, allowable thickness increases as load weight decreases. If necessary, contact Wood's Powr-Grip for help in determining the maximum thickness permitted when handling any specific load.

Note: Vacuum pads can stain or deform load surfaces with light colors or soft coatings. The operator should test such surfaces for detrimental effects before using the lifter on them.

---

<sup>2</sup> Lifters that feature concave vacuum pads can also attach to some kinds of curved loads. Since curvature affects the lifting capacity, contact WPG for help in determining the Maximum Load Capacity for a particular curved load.

# OPERATING ENVIRONMENT

The operator must determine whether the lifter is intended to be used in each work environment, in accordance with the following restrictions:

 **WARNING: Never use lifter in dangerous environments.**

- This lifter is not intended for use in any environment that is inherently dangerous to the operator or likely to compromise the lifter's ability to function. Environments containing explosives, caustic chemicals and other dangerous substances must be avoided when using the lifter.
- The lifter's work environment is limited by the Operating Elevation and Operating Temperatures indicated in SPECIFICATIONS.
- The lifter's work environment must be free of metal particles or any other contaminants that could damage lifter components through airborne contact or any other means of transmission in the environment. If such contaminants cause a vacuum pump failure, they could result in a load release and injury to the operator or others nearby.

 **WARNING: Environmental contaminants could result in vacuum pump failure.**

- Using the lifter in wet environments may require the operator to take special precautions: Moisture on contact surfaces of the load or vacuum pads diminishes the lifter's slip resistance, thereby reducing the lifting capacity (see MAINTENANCE: VACUUM PAD MAINTENANCE: Friction Coefficient).

 **WARNING: Moisture reduces slip resistance of vacuum pads.**

Although the lifter's exterior surfaces can tolerate some exposure to water vapor, they are not designed to be watertight. Submerging the lifter or using it in rain may damage lifter components; these and similar conditions must be avoided.

- 
- **!!-CE-!!** If the lifter is employed in a construction area, CE Standard EN 13155 requires the use of a secondary positive holding device, such as a sling system, designed to support the load in case of a vacuum system failure.

 **WARNING: Where CE Standards apply, secondary positive holding device is required for lifting loads in construction zones.**

---

## DISPOSAL OF THE LIFTER

After the vacuum lifter has reached the end of its service life, you must dispose of the lifter in compliance with all local codes and regulatory standards that are relevant for the geographical region.

Note: This lifter is equipped with a battery, which may be subject to special disposal regulations.

# OPERATION

---

## BEFORE USING THE LIFTER

The operator must determine whether the lifter is capable of performing each intended task, in accordance with the SPECIFICATIONS and INTENDED USE sections of this *INSTRUCTIONS* manual. In addition, all of the following preparations must be completed prior to lifting any load.

### Taking Safety Precautions

The operator must be trained in all relevant industry and regulatory standards for the operation of the vacuum lifter in its geographical location (eg, ASME B30.20 in the USA).

The operator must read and understand this *INSTRUCTIONS* manual, including all **WARNINGS**, before using the lifter. If necessary, contact Wood's Powr-Grip or an authorized dealer for assistance.

**⚠ WARNING:** *Always wear appropriate personal protective equipment.*

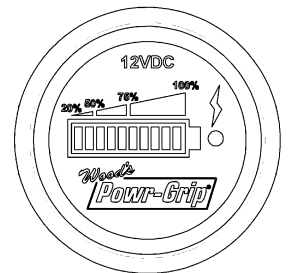
The operator must wear any personal protective equipment and take any other precautions required to handle the load safely. Consult appropriate trade association guidelines to determine what precautions are necessary for each type of load material.

### Performing Inspections and Tests

**⚠ WARNING:** *Always check battery energy before using lifter.*

(See MAINTENANCE: BATTERY TEST)

Perform all inspections and tests required by the INSPECTION and TESTING SCHEDULES (see MAINTENANCE). In addition, if the lifter has been in storage, always conduct a VACUUM TEST before placing it in service (see MAINTENANCE).



**CAUTION:** *Examine each air filter regularly, and empty when necessary.*

The lifter is equipped with one or more air filters to help protect the vacuum system from contaminants. In order for a filter to function, the operator must empty the filter bowl before enough liquid accumulates to contact any portion of the filter element (see MAINTENANCE: AIR FILTER MAINTENANCE).

If the lifter is equipped with a low vacuum warning buzzer, the volume of the alarm may be adjusted by rotating the shutter of the warning buzzer. Make sure the alarm is loud enough to be heard over any other noise that may be present while the lifter is in use. In addition, the alarm must be clearly audible at the maximum distance the operator may be from the lifter, as well as through any barriers or obstructions between the operator and the lifter.

**⚠ WARNING:** *Make sure alarm is clearly audible over ambient noise at operator position.*

In order to be considered clearly audible, ***the alarm volume must exceed ambient noise by at least 15 dBA at the operator position.***<sup>3</sup> Since the Maximum Alarm Volume is 103 dBA, ambient noise must not exceed 88 dBA under any circumstances. Furthermore, if ambient noise measures 88 dBA, the alarm volume must be set to maximum and the operator must remain within 2 ft [60 cm] of the warning buzzer, in order for it to be effective.



## TO APPLY THE PADS TO A LOAD

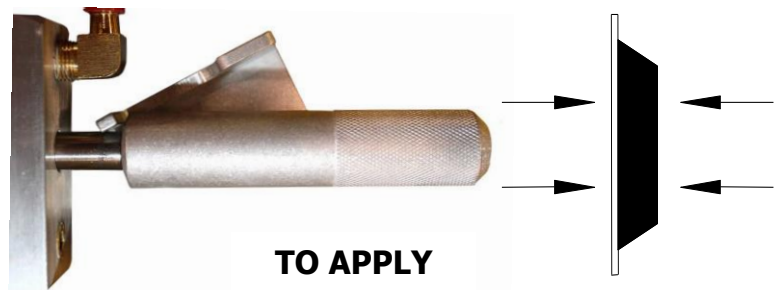
### Positioning the Lifter on the Load

Make certain that the contact surfaces of the load and all vacuum pads are free of any contaminants that could prevent the pads from sealing against the load (see MAINTENANCE: VACUUM PAD MAINTENANCE).

Center the lifter's rotation axis to within 2" [5 cm] of the load center, since off-center loading can cause the load to rotate or tilt unexpectedly (see TO ROTATE THE LOAD EDGEWISE or TO TILT THE LOAD to follow), and it may also damage the lifter.<sup>4</sup> Make sure that all vacuum pads will fit entirely on the load's contact surface (see SPECIFICATIONS: Maximum Pad Spread) and that they will be loaded evenly while lifting (see SPECIFICATIONS: Per-Pad Load Capacity). Then apply the lifter to the load so that all pads are touching the contact surface.

### Sealing the Pads against the Load

Firm pressure at the center of the lifter helps the vacuum pads begin to seal against the load. Pull the valve handle outward until it latches securely in the "apply" (  ) position (power on), as shown. This energizes the vacuum pump, causing air to be drawn at the pads immediately. The red low vacuum warning light also turns on and remains illuminated until the lifter attains sufficient vacuum to lift the maximum load weight (see TO LIFT AND MOVE THE LOAD: Load Capacity and the Warning Light to follow). The valve handle must remain in the "apply" (  ) position throughout the entire lift.



** *WARNING: Keep valve handle latched securely in "APPLY" position throughout lift.***

Note: If a vacuum pad has been lying against a hard object (as during shipping), it may be slightly distorted. Although initially it may be difficult to apply the pad to a load, this condition should correct itself with continued use.

<sup>3</sup> Consult CE Standard EN 457 for alternative ways to determine whether the alarm is clearly audible to operators.

<sup>4</sup> The lifter is designed to handle the maximum load weight (see SPECIFICATIONS: Maximum Load Capacity) when the load's center of gravity is positioned within 2" [5 cm] of the lifter's rotation axis. Occasional loading deviations are permissible, provided that the operator can maintain control of the load at all times and that the load weight is low enough to avoid damaging the lifter.

## Reading the Vacuum Gauge


The vacuum gauge indicates the current vacuum level in the lifter's vacuum system. The *green* range indicates vacuum levels sufficient for lifting the maximum load weight, whereas the *red* range indicates vacuum levels that are **not** sufficient for lifting the maximum load weight. The gauge needle should show a sudden surge in vacuum as the vacuum pads seal against the load. If it takes more than 5 seconds for the vacuum level to reach 5" Hg [-17 kPa], press on any pad that has not yet sealed.

## Vacuum Level on Optimal Surfaces

When the lifter is attached to clean, smooth, nonporous load surfaces, it should be able to maintain a vacuum level in the green range on the vacuum gauge, except when used at high elevations (see SPECIFICATIONS: Operating Elevation). If not, make sure the vacuum switch is adjusted correctly (see MAINTENANCE: VACUUM SWITCH ADJUSTMENT). If the vacuum switch cannot be adjusted to maintain a vacuum of 16" Hg [-54 kPa], perform the VACUUM TEST (see MAINTENANCE) to determine whether there is a deficiency in the vacuum generating system.

## Vacuum Level on Other Surfaces

When the lifter is attached to contaminated, rough or porous load surfaces, it may not be able to maintain a vacuum level in the green range on the vacuum gauge, due to leakage in the seal between the vacuum pads and the load surface.<sup>5</sup> In the case of contamination, thoroughly clean the contact surfaces of the load and the vacuum pads (see MAINTENANCE: VACUUM PAD MAINTENANCE: Cleaning), and reapply the lifter to the load. If the load has rough or porous surfaces, ***the operator must conduct a test to determine whether the lifter is designed to lift the load***, as follows:

- 1) Make sure the lifter's vacuum generating system is functioning correctly (see MAINTENANCE: VACUUM TEST).
- 2) Apply the vacuum pads to the load as previously directed.
- 3) After the vacuum pump stops running, disconnect the electrical connector uniting the battery with the vacuum generating system.  
Note: After the test is completed, move the valve handle to the "release" (  ) position (power *off*) before reconnecting the battery.
- 4) Raise the load a minimal distance, to assure that it is supported by the lifter.
- 5) Monitor the vacuum gauge while the load is suspended for 5 minutes: ***The lifter must maintain a minimum vacuum level of 10" Hg [-34 kPa] during this time.*** If not, the load does not possess the characteristics required for using this lifter.<sup>6</sup>

---

<sup>5</sup> Contaminated loads can also cause the vacuum pump to run frequently or continuously. Since excessive pumping quickly reduces battery energy, the operator should clean the load when possible, to minimize pumping.

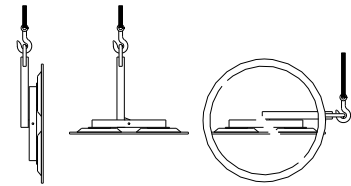
<sup>6</sup> Certain load materials are too rough or porous to allow the lifter to form a seal which can be maintained for 5 minutes without power. However, in geographical locations where CE Standards do not apply, it may be possible to use the lifter to lift such loads. Contact Wood's Powr-Grip for more information.

# TO LIFT AND MOVE THE LOAD

## Positioning the Lift Bar

**⚠ WARNING:** *Lift bar must be oriented vertically to lift load.*

Never lift the load from a flat position with the lift bar latched parallel to the load. Always disengage the tilt latch (see TO TILT THE LOAD to follow) and raise the lift bar to a vertical orientation before attempting to lift.



## Load Capacity and the Warning Light

A lifter's Load Capacity is rated at a vacuum level of 16" Hg [-54 kPa] (see SPECIFICATIONS). After the lifter has attained this level, the vacuum pump turns off automatically, to conserve battery energy. At the same time, the low vacuum warning light turns off, to indicate that the lifter is ready to lift the maximum load weight.

**⚠ WARNING:** *Never attempt to lift load while red warning light is illuminated.*

Do not attempt to lift the load while the warning light is illuminated; such an attempt could result in a load release and possible injury to the operator.

## Monitoring Vacuum Indicators

The low vacuum warning light and the vacuum gauge must remain completely visible to the operator, so that they can be monitored throughout the entire lift.

**⚠ WARNING:** *Vacuum indicators must be visible to operator throughout entire lift.*

If the vacuum system experiences leakage while the lifter is attached to the load, the vacuum pump turns on automatically, as required to maintain sufficient vacuum for lifting the maximum load weight. The low vacuum warning light also turns on and remains illuminated while the pump is running, to signal the reduction in vacuum to the operator.

If the pump and warning light turn on while you are lifting a load, make sure the vacuum gauge shows a vacuum level of 16" Hg [-54 kPa] or higher. If not, move away and stay clear of the load until it can be lowered to the ground or a stable support.

**⚠ WARNING:** *Stay clear of any suspended load while vacuum level is lower than 16" Hg [-54 kPa].*

Discontinue lifter use until the cause of the vacuum loss can be determined. If the pump runs at intervals of ten minutes or less while the lifter is attached to clean, smooth, nonporous materials, the leakage is likely to be in the vacuum system. In this event, perform the VACUUM TEST (see MAINTENANCE) and inspect the vacuum pads for damage (see MAINTENANCE: VACUUM PAD MAINTENANCE: Inspection). If the vacuum loss cannot be remedied immediately, perform inspection and maintenance as needed to identify and correct any deficiency before resuming normal operation of the lifter.

## Monitoring the Low Vacuum Warning Buzzer (if applicable)

If the lifter is equipped with a low vacuum warning buzzer, an alarm sounds until the lifter attains sufficient vacuum to lift the maximum load weight (see SPECIFICATIONS: Load Capacity). After the lifter has attained this vacuum level, the alarm stops sounding, to indicate that the lifter is ready to lift the load.

 **WARNING:** *Never attempt to lift load while alarm is sounding.*

Do not attempt to lift the load while the alarm is sounding; such an attempt could result in a load release and possible injury to the operator.

If the vacuum system experiences leakage while the lifter is attached to the load, the vacuum pump turns on automatically, as required to maintain sufficient vacuum. The alarm also sounds while the pump is running, to signal the reduction in vacuum to the operator. If the alarm sounds while you are lifting a load, make sure the vacuum gauge shows a vacuum level of 16" Hg [-54 kPa] or higher. If not, immediately move away and stay clear of the load until it can be lowered to the ground or a stable support.

 **WARNING:** *Stay clear of any suspended load while alarm is sounding.*

Discontinue lifter use until the cause of the vacuum loss can be determined. Using the lifter on contaminated, rough or porous surfaces may result in a vacuum loss, due to leakage between the vacuum pads and the load. Since the alarm may sound in such circumstances, consult the section TO APPLY THE PADS TO A LOAD: Vacuum Level on Other Surfaces to determine whether the lifter can be used to lift the load. If the vacuum loss is due to any other cause, perform inspection and maintenance as needed to identify and correct any deficiency before resuming normal operation of the lifter.

## Controlling the Lifter and Load

When the vacuum indicators show that the lifter is ready, use the hoisting equipment to raise the lifter and load as needed to clear any obstacles in their path. Use the control handle to keep the lifter and load in the desired orientation while they are suspended from the crane. Once sufficient clearance is established, the load can be rotated or tilted as desired (see TO ROTATE THE LOAD EDGEWISE or TO TILT THE LOAD to follow).

## In Case of Power Failure

The lifter is equipped with a vacuum reserve tank, designed to maintain vacuum temporarily in case of a power failure (ie, in battery).

 **WARNING:** *Stay clear of any suspended load in the event of a power failure.*

Although the lifter is designed to support the load for at least 5 minutes without power, this depends on many factors, including the condition of the load and the lifter's vacuum system (see INTENDED USE: LOAD CHARACTERISTICS and MAINTENANCE: VACUUM PAD MAINTENANCE, VACUUM TEST). If a power failure occurs, keep all personnel clear of the suspended load until it can safely be placed on the ground or a stable support. Correct any deficiency before resuming normal operation of the lifter.

## TO ROTATE THE LOAD EDGEWISE

**⚠ WARNING: Never disengage both the rotation latch and the tilt latch at the same time.**

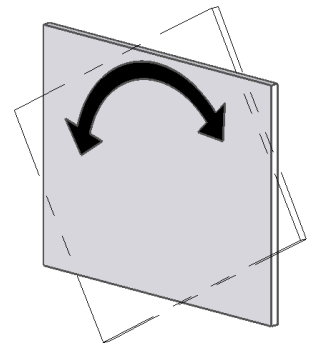
This lifter is not designed for rotation and tilt functions to be used at the same time. Disengaging the rotation and tilt latches simultaneously could cause uncontrolled and unpredictable load movement, potentially resulting in load damage or injury to the operator.

**CAUTION: Rotation function only works when pad frame is latched in vertical orientation.**

Make sure the pad frame is latched in the vertical position of the tilt range (see To TILT THE LOAD to follow), as shown in the OPERATING FEATURES illustration, because the rotation function is not designed to work in any other position.

**⚠ WARNING: Make sure load is positioned correctly on lifter (see To APPLY); unbalanced loads may rotate unexpectedly when latch is disengaged.**

Remember that the load is longer in its diagonal dimensions than in its side dimensions. Make sure there is sufficient clearance for the load to rotate without contacting the operator or any nearby objects. Maintain a firm grip on one control handle to keep the load under control at all times. Pull the rotation release lever to disengage the rotation latch, and rotate the load to the desired position. To stop the load's motion automatically at each quarter turn, simply let go of the rotation release lever immediately after initiating the rotation, so that the rotation latch engages at the next stop. Whenever rotation is not required, keep the rotation latch engaged, to prevent accidental damage to the load and possible injury to the operator.





## TO TILT THE LOAD

**⚠ WARNING: Never disengage both the rotation latch and the tilt latch at the same time.**

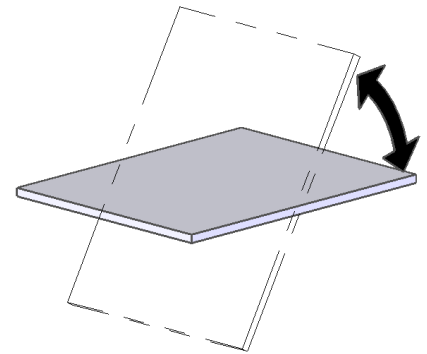
This lifter is not designed for rotation and tilt functions to be used at the same time. Disengaging the rotation and tilt latches simultaneously could cause uncontrolled and unpredictable load movement, potentially resulting in load damage or injury to the operator.

**CAUTION: Tilt function only works when pad frame is latched in center position of rotation range.**

Make sure the pad frame is latched in the center position of the rotation range (see TO ROTATE THE LOAD EDGEWISE preceding), as shown in the OPERATING FEATURES illustration, because the tilt function is not designed to work in any other position.

**⚠ WARNING: Make sure load is positioned correctly on lifter (see To APPLY); unbalanced loads may tilt unexpectedly when latch is disengaged.**

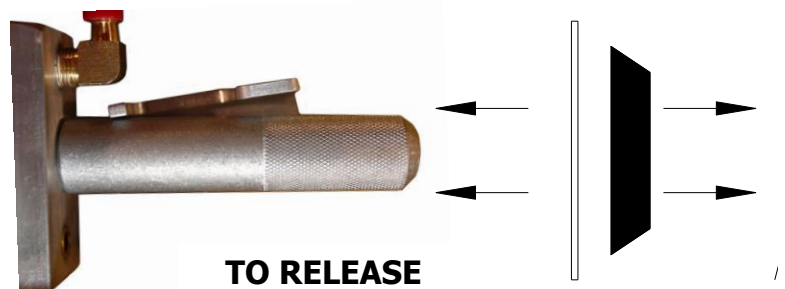
Remember that the load requires more vertical space when tilted to the upright position, as well as more horizontal space when tilted to the flat position. Make sure there is sufficient clearance for the load to tilt without contacting the operator or any nearby objects. Maintain a firm grip on one control handle to keep the load under control at all times. If the pad frame is latched in the vertical position, pull the tilt release lever to disengage the tilt latch, and prepare for a slight surge of motion as the load begins to tilt. If load size permits, maintain control with the handle throughout the tilt. For loads with overhang, it may be necessary to release the control handle as the load approaches the flat position. If so, keep the load under control using hand cups or other appropriate means. The pad frame automatically latches in place when it returns to the vertical position.



## TO RELEASE THE PADS FROM THE LOAD

**⚠ WARNING: Load must be fully supported before releasing vacuum pads.**

When the load is at rest and fully supported, pinch the valve release lever against the valve handle, to unlatch the handle. Then push the valve handle inward to the "RELEASE" position (power off), as shown. Do not attempt to move the lifter until the vacuum pads disengage completely from the load.



## AFTER USING THE LIFTER

Leave the valve handle in the "RELEASE" position (power off).

**CAUTION:** *Do not set the lifter against any surfaces which could soil or damage the vacuum pads.*

Built-in parking feet can be used to support an unloaded lifter when not suspended from a crane: Make sure the pad frame is oriented vertically with the parking feet at the bottom. Use the hoisting equipment to gently lower the lifter until the parking feet support its entire weight. Make sure the lifter leans securely against an appropriate support; then detach the hoisting equipment hook from the lift bail.

If the lifter is transported to another location, use the original shipping container and secure the lifter so as to protect the vacuum pads and all other components from damage while in transit.

### Storing the Lifter

Use the covers supplied to keep the vacuum pads clean.

~~~~~  
**!!-CE-!!** In accordance with CE Standard EN 13155, the lifter is designed to rest on relatively horizontal surfaces without tipping over. To store the lifter in this way, set the lifter with the pads facing downward on a clean, smooth, flat surface. Then lower the lift bar to a horizontal orientation and place a support under the lift bail.

~~~~~  
Charge the battery completely when placing it in storage and at six-month intervals thereafter (see MAINTENANCE: BATTERY RECHARGE). After charging the battery, disconnect the electrical connectors uniting the battery to the battery charger and to the vacuum generating system, in order to minimize power drainage. Preferred temperatures for storing the battery are 32° to 70° Fahrenheit [0° to 21° Celsius]. Higher temperatures require the battery to be charged more frequently. Storage at temperatures above 100° Fahrenheit [38° Celsius] should be avoided.

# MAINTENANCE

---

 **WARNING:** Always make sure battery is disconnected before servicing lifter.

Note: One or more wiring diagrams are provided in the final section of this *INSTRUCTIONS* manual for reference when servicing the lifter or trouble-shooting a deficiency.

## INSPECTION SCHEDULE

Perform inspections routinely, according to the following frequency schedule:

### Every-Lift Inspection

- Examine the vacuum pads and load surface for contamination or debris (see VACUUM PAD MAINTENANCE to follow).
- Examine the vacuum pads, controls and indicators for visual damage (see VACUUM PAD MAINTENANCE to follow).
- Test the battery for adequate charge (see BATTERY TEST to follow).

If a battery's charge appears to be inadequate, charge and retest the battery (see BATTERY RECHARGE to follow). If any other deficiency is detected during the inspection, correct it before using the lifter and perform the Frequent Inspection to follow.

### Frequent Inspection

*(following every 20-40 hours' use; or whenever lifter is out of service for 1 month or more)*

- Examine the lifter's structure for visual damage.
- Examine the vacuum system (including vacuum pads, fittings and hoses) for visual damage.
- Examine the air filter for conditions requiring service (see AIR FILTER MAINTENANCE to follow).
- Perform the VACUUM TEST to follow.
- Check for unusual vibrations or noises while operating the lifter.

If any deficiency is detected during the inspection, correct it before using the lifter and perform the Periodic Inspection to follow.

### Periodic Inspection

*(following every 250-500 hours' use; or whenever lifter is out of service for 1 year or more)*

- Examine the entire lifter for external evidence of looseness, excessive wear, deformation, cracks, excessive corrosion, dents to structural or functional components, cuts, or any deficiency which might constitute a hazard.
- Inspect all parts of the electrical system for damage, wear or contamination that could constitute a hazard, in compliance with all local codes and regulatory standards that are relevant for the geographical region.

**CAUTION: Be sure to use appropriate cleaning methods for each type of electrical component, as specified by codes and standards. Improper cleaning can damage components.**

- Keep a written record of all Periodic Inspections.

If any deficiency is detected during the inspection, correct it before using the lifter. If necessary, return the lifter to Powr-Grip or an authorized dealer for repair (see LIMITED WARRANTY).

## Infrequent Use

If a lifter is used less than 1 day in a 2-week period, perform the Periodic Inspection *each time before using the lifter*.

## TESTING SCHEDULE

Perform these tests when placing the lifter in service *initially* and *each time following a repair or modification*. Correct any deficiency and retest before using the lifter.

### Operational Tests

- Perform the VACUUM TEST to follow.
- Test all features and functions of the lifter (see OPERATING FEATURES, OPERATION and MAINTENANCE).

### Load Test

Prove that the lifter can lift 100% of its Maximum Load Capacity (see SPECIFICATIONS), using an actual load or an equivalent simulation.<sup>7</sup> Employ the following method to test with an actual load:

- 1) Place a test load with appropriate LOAD CHARACTERISTICS (see INTENDED USE) on a stable support. Make sure the load is oriented in the upright position.<sup>8</sup>
- 2) Apply the vacuum pads to the load as previously directed.
- 3) After the vacuum pump stops running, disconnect the electrical connector uniting the battery with the vacuum generating system.

Note: After the test is completed, move the valve handle to the "release" (⏏) position (power *off*) before reconnecting the battery.

- 4) Raise the load a minimal distance, to assure that it is supported by the lifter.
- 5) Hold the load for 5 minutes. The load must not slip or fall during this time period. If it does, conduct a VACUUM TEST and inspect each vacuum pad as indicated under VACUUM PAD MAINTENANCE: Inspection (see sections to follow). Correct any deficiency that is found and retest the lifter.

---

<sup>7</sup> ASME Standard B30.20 requires the lifter to be tested to 125% of its Maximum Load Capacity.

<sup>8</sup> Flat Lifters are exempt from this requirement.

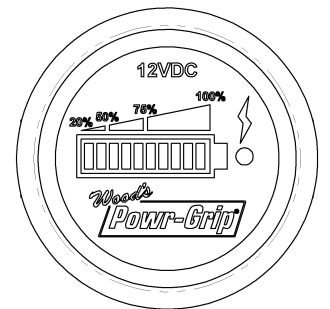
Note: See MAINTENANCE topics to follow for additional directions about inspecting and testing specific lifter components. Since the low vacuum warning buzzer is controlled by a vacuum switch, consult the VACUUM SWITCH ADJUSTMENT discussion for inspection, testing and adjustment procedures.

## MAINTENANCE SCHEDULE

Unless specified elsewhere in this *INSTRUCTIONS* manual, the lifter does not require maintenance on a routine basis. Instead, maintenance must be performed whenever a deficiency is indicated by routine inspections or tests. Any maintenance warranted must be performed before resuming normal operation of the lifter.

## BATTERY TEST

The lifter is equipped with a battery gauge to help the operator evaluate whether the battery has adequate energy for lifting. Factors such as the condition of the battery, the time required to execute a lift, and the porosity of the load combine to determine how much battery energy is needed. ***It is the operator's responsibility to evaluate these conditions and to make sure the battery has sufficient energy to complete a lift safely.*** Check the battery energy before every lift and also at the end of each day's use, to decide whether a charge is needed (see BATTERY RECHARGE to follow).<sup>9</sup> Never use the lifter when battery energy registers lower than 50% (that is, when only red lights are illuminated), regardless of the estimated energy requirement.



**⚠ *WARNING: Never use lifter if battery energy is lower than 50% of capacity.***

While the valve handle is in the "apply" (⌘) position (power on), the battery gauge automatically monitors battery energy. However, the battery gauge shuts off temporarily while the vacuum pump is running, to prevent an inaccurate reading. When the pumping cycle is completed, the battery gauge requires a few moments to stabilize before it displays an accurate energy reading again.

While the valve handle is in the "release" (⌘) position (power off), the battery energy can be checked manually using the battery test button. If the lifter has not been used since the battery was charged, the battery gauge may falsely indicate an energy level that is higher than actual, due to a "surface charge" on the battery. After the pump runs for approximately one minute, the surface charge dissipates, allowing the operator to take an accurate energy reading.

---

<sup>9</sup> The battery charger must be disconnected from its AC power source in order to test the battery energy; otherwise, the energy reading on the battery gauge would not be accurate.

## BATTERY RECHARGE

Only use a battery charger supplied by or approved by Wood's Powr-Grip; other chargers may reduce battery life. Charge the battery as soon as possible after any extended use of the lifter, or whenever the battery gauge indicates diminished energy (see BATTERY TEST preceding). Temperatures above 70° Fahrenheit [21° Celsius] require the battery to be charged more frequently.

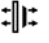
***CAUTION: Charge the battery only while the valve handle is in "release" position (power OFF).*** Operating the lifter when the charger is connected to an AC power source could result in permanent damage to the charger.

Identify the input voltage marked on the battery charger, and plug it in to an appropriate power source.<sup>10</sup> The power source must be equipped with a ground fault circuit interrupter, in order to reduce the risk of electrical shocks.

 ***WARNING: Power source must be equipped with ground fault circuit interrupter.***

Usually a battery takes no more than 16 hours to charge completely, after which the charger shuts off automatically. The blue light on the battery gauge also turns on, to indicate that the battery is fully charged. Following long-term use, a battery gradually loses capacity. Replace it whenever the operating time between recharging is no longer satisfactory.

## BATTERY CHARGER TEST

Perform this test only when the battery is *not* fully charged (see BATTERY TEST preceding). While the valve handle is in the "release" (  ) position (power *off*) and the battery charger is *disconnected* from any AC power source, use the battery test button to take an energy reading on the battery gauge. Then plug the charger in to an appropriate AC power source and allow a few moments for the battery gauge to show an accurate energy reading. If the charger is functioning correctly, the energy reading should be higher when the charger is plugged in.

## VACUUM PAD MAINTENANCE

### Friction Coefficient

The friction coefficient represents the lifter's ability to resist load slippage when the load is oriented in any position except horizontal. If the contact surfaces of either the load or the vacuum pads are not clean, dry and in good condition, slippage is more likely to occur.

The Maximum Load Capacity of most Powr-Grip lifters is based on a friction coefficient of 1 (only Flat Lifters are exempt from this requirement). However, a vacuum pad's ability to maintain this friction coefficient is reduced by factors such as contamination, wear, age and exposure to sunlight, as well as the condition of the load's contact surface (see INTENDED USE: LOAD CHARACTERISTICS). Pads that have surface contamination must be thoroughly cleaned (see Cleaning discussion to follow). Over time, the rubber in a pad may experience hardening or

---

<sup>10</sup> Any external power supply must conform to all applicable local codes.

leaching of chemicals, resulting in stiffness or surface glaze. Pads that exhibit wear, stiffness or glaze must be replaced.

In addition, all pads should be replaced on a regular basis, preferably after no more than 2 years, to ensure that the friction coefficient is not compromised. If necessary, contact your dealer or Wood's Powr-Grip for more information.

## Inspection

Inspect each vacuum pad for the following deficiencies routinely, as directed in the preceding INSPECTION and TESTING SCHEDULES. Correct any deficiency before using the lifter.

- Contaminates on the pad face or sealing edges: Soil build-up can prevent pads from sealing adequately or reduce the friction coefficient (see discussion preceding). Follow the directions to clean pads as necessary (see discussion to follow).
- Filter screen missing from pad face: This screen helps prevent debris from plugging the vacuum hose and the air filter. Replace any missing screen immediately (see REPLACEMENT PARTS LIST).
- Nicks, cuts or abrasions in sealing edges: Pad damage can reduce the lifting capacity of the lifter. Replace any damaged pad immediately (see REPLACEMENT PARTS LIST).<sup>11</sup>

 ***WARNING: Replace vacuum pad if sealing edge has any nicks, cuts or abrasions.***

- Wear, stiffness or glaze: See Friction Coefficient preceding. Replace any pad that exhibits wear, stiffness or glaze (see REPLACEMENT PARTS LIST).

## Cleaning

Regularly clean the face of each vacuum pad to remove oil, dust and any other contaminants. Acceptable cleaning agents include soapy water and other mild cleansers. Do *not* use solvents, petroleum-based products (including kerosene, gasoline and diesel fuel) or any harsh chemicals for cleaning. Do *not* use unauthorized rubber cleaners or conditioners, such as those intended for cleaning tires or vinyl surfaces, because those products can leave a hazardous film on vacuum pads which significantly reduces their lifting capacity (see Friction Coefficient preceding). The use of any unauthorized cleaning agent is prohibited because it could damage the pad and/or create a hazard to the operator or others.

 ***WARNING: Never use solvents, gasoline or other harsh chemicals to clean vacuum pad.***

 ***WARNING: Never use unauthorized rubber cleaners or conditioners to clean vacuum pad.***

To prevent liquid from contaminating the vacuum system during cleaning, cover the suction hole in the recess for the filter screen or make sure the pad faces downward. Use a clean sponge or lint-free cloth to apply an authorized cleanser and wipe the pad face clean. A toothbrush (or similar brush with bristles *that do not harm rubber*) may be used to remove contaminants clinging to sealing edges.<sup>12</sup> Wipe all residue from the pad face, and allow the pad to dry completely before using the lifter.

---


<sup>11</sup> If the lifter is equipped with VPFS10T or VPFS625 pads, the sealing edge is the replaceable sealing ring. When it is damaged, install a new sealing ring insert. In such cases, see TO REPLACE SEALING RING INSERT IN VACUUM PAD to follow.

<sup>12</sup> If these cleaning methods are not successful, contact Wood's Powr-Grip or an authorized dealer for assistance.

# VACUUM TEST

Test the vacuum system for leakage routinely, as directed in the preceding INSPECTION and TESTING SCHEDULES.

- 1) Clean the face of each vacuum pad as previously directed (see VACUUM PAD MAINTENANCE: Cleaning).
- 2) Apply the lifter to a clean, smooth, nonporous surface. The surface should be flat or possess no more curvature than the lifter is designed for (if any).<sup>13</sup> When the pumping cycle is completed, the vacuum level should register above 16" Hg [-54 kPa] on the vacuum gauge (if not, see VACUUM SWITCH ADJUSTMENT to follow).
- 3) After the vacuum pump stops running, leave the pads attached to the surface and interrupt the energy flow from the battery: Disconnect the electrical connector uniting the battery to the vacuum generating system.

Note: After the vacuum test is completed, move the valve handle to the "release" (  ) position (power *off*) before reconnecting the battery.

- 4) Monitor the vacuum gauge: *The vacuum level should not decrease by more than 4" Hg [-14 kPa] in 10 minutes.*

 **WARNING: If lifter fails vacuum test, discontinue use immediately.**

Correct any deficiency in the vacuum system before using the lifter. Contact Wood's Powr-Grip or an authorized dealer for assistance.

---

<sup>13</sup> Any test material used must be fully and independently supported, and capable of bearing the lifter's weight. Do not use the lifter to lift the test material during the vacuum test.



# AIR FILTER MAINTENANCE – SMALL

(For 1 oz [30 ml] bowl size filters)

## Filter Function and Conditions Requiring Service

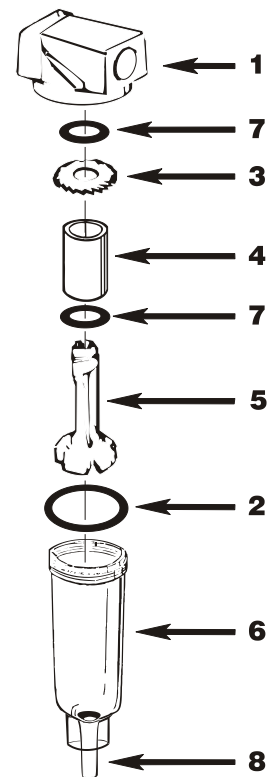
An air filter prevents solid particles and liquid from contaminating components in the vacuum system.

**CAUTION: Examine air filter regularly and empty when necessary.**

Liquid must not contact any portion of the filter element; remove trapped liquid regularly. Replace the element if it has an overall dirty appearance, or if there is a noticeable increase in the time required to attain full vacuum. (Refer to REPLACEMENT PARTS LIST for filter element kit.)

## Filter Service Procedures

- 1) Unscrew the bowl (6) from the body (1). Support the body while twisting the bowl, to protect the vacuum line fittings from being damaged.
- 2) Determine whether the filter element (4) needs to be replaced (see Conditions Requiring Service preceding). *If so*, proceed to step 3.  
*If not*, remove any liquid or contaminants from the bowl; clean the old bowl seal (2) with mild soap and water; and skip to step 7.
- 3) Unscrew the element holder (5) and remove all internal parts.
- 4) Set aside the element, element gaskets (7) and bowl seal for disposal later.
- 5) Clean all other internal parts and the bowl, using mild soap and water only. *Do not* use any other cleansing agents.
- 6) Place the new element gaskets and element, along with the old deflector (3), on the element holder, and screw the assembly back into the filter body (tighten gently, finger-tight).
- 7) Lubricate the new or cleaned bowl seal (2)<sup>14</sup>, using a mineral base oil or grease (such as the lubricant furnished in the filter element kit). *Do not* use synthetic oils, such as esters, and *do not* use silicones.
- 8) Place the bowl seal around the rim of the bowl. Then screw the bowl back into the body, taking care to avoid contaminating the filter element with lubricant. Hand-tighten only.
- 9) Test the vacuum system to be certain the air filter does not leak (see VACUUM TEST preceding, if applicable).



**⚠ WARNING:** When the air filter is being used on a *vacuum* system, rather than with pressure, using the twist drain (8) to remove liquid from the bowl is **not** recommended. **Never** disturb the twist drain, as contaminants could lodge in the drain seal and cause a vacuum leak.

<sup>14</sup> The filter element kit may contain two sizes of bowl seals (O-ring type gaskets). If so, use the smaller bowl seal; or if in doubt, compare the old bowl seal to determine the appropriate size.

# VACUUM PUMP MAINTENANCE – DYNAFLO DV1032102

**⚠ WARNING:** Before proceeding with any maintenance, disconnect power source.

If the vacuum pump takes too long to attain full vacuum, it may require maintenance. Replace the diaphragm or the head assembly (see REPLACEMENT PARTS LIST), as necessary to obtain acceptable pump performance.

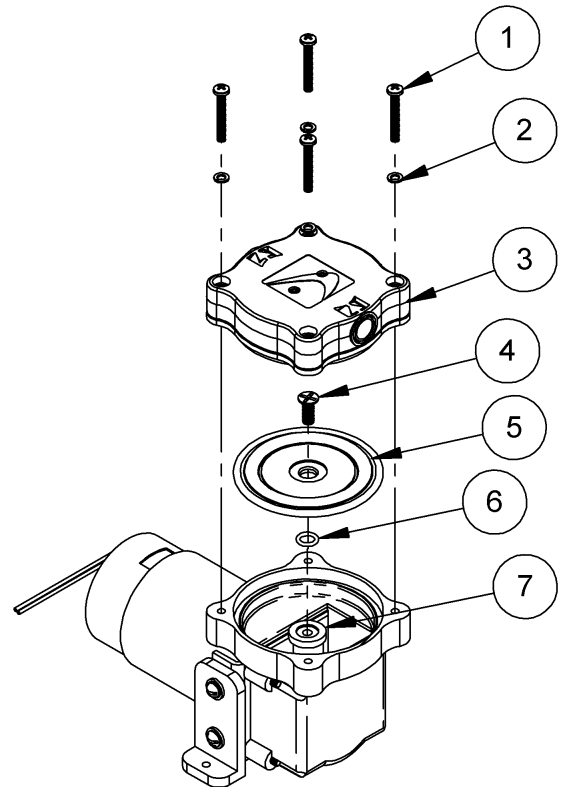
**CAUTION:** Do not over-tighten the head screws, because this may damage the threads in the pump body.

## Replacing the Diaphragm

- 1) Remove the four head screws (1) and lock washers (2), and remove the head assembly (3).
- 2) Remove the diaphragm retaining screw (4), diaphragm (5), rubber O-ring (6) and flat washer (7). Be sure to note the diaphragm orientation for reassembly.
- 3) Replace the flat washer, rubber O-ring, diaphragm and diaphragm retaining screw.
- 4) Reverse the steps above for reassembly, as shown.

## Replacing the Head Assembly<sup>15</sup>

- 1) Remove the hose fittings from the head assembly, and carefully clean the threads. Be sure to note the fitting locations for reassembly.
- 2) Remove the four head screws (1), lock washers (2) and head assembly (3).
- 3) Replace the head assembly, and reverse the steps above for reassembly, as shown.
- 4) Reinstall the hose fittings, using an appropriate thread sealant.



- |                             |                 |
|-----------------------------|-----------------|
| 1 HEAD SCREW                | 5 DIAPHRAGM     |
| 2 LOCK WASHER               | 6 RUBBER O-RING |
| 3 HEAD ASSEMBLY             | 7 FLAT WASHER   |
| 4 DIAPHRAGM RETAINING SCREW |                 |

<sup>15</sup> **CAUTION:** Depending on the product, the head assembly (3) may be rotated to an orientation different from the one shown. When removing the head assembly, always take note of its orientation and install it the same way during reassembly. Make sure that the intake and exhaust ports remain in their original positions.

# VACUUM PUMP MAINTENANCE – THOMAS 107CDC20

**⚠ WARNING:** Before proceeding with any maintenance, disconnect power source.

If the vacuum pump (14) takes too long to attain full vacuum, it may require maintenance. Replace the diaphragm, valve flappers or head gasket as necessary to obtain acceptable pump performance (see REPLACEMENT PARTS LIST).

## Replacing the Diaphragm

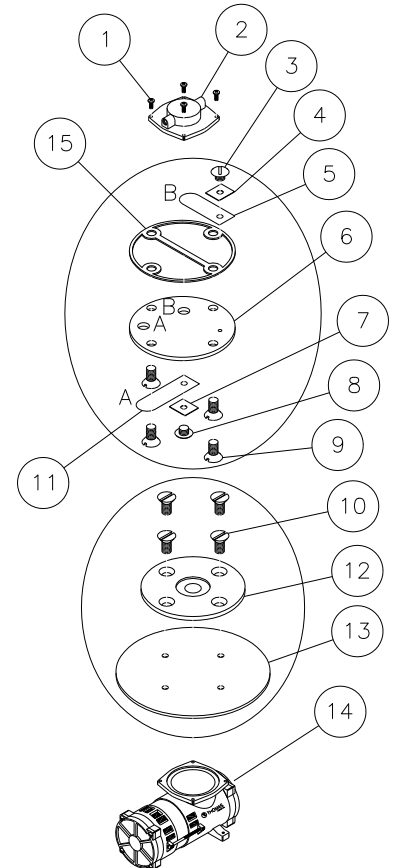
- 1) Remove the four head screws (1) and remove the head (2).
- 2) Remove the four diaphragm hold-down screws (10) and the diaphragm hold-down plate (12).
- 3) Replace the diaphragm (13) and reverse the steps above for reassembly.

## Replacing the Intake Valve Flapper

- 1) Remove the four head screws (1) and remove the head (2).
- 2) Remove the intake valve flapper screw (8) and the intake valve keeper (7).
- 3) Replace the intake valve flapper (11) and reverse the steps above for reassembly.

## Replacing the Exhaust Valve Flapper and Head Gasket

- 1) Remove the four head screws (1) and remove the head (2).
- 2) Invert the head and remove the four valve plate screws (9).
- 3) Lift out the valve plate (6) to access the exhaust valve flapper and head gasket.<sup>16</sup>
- 4) Remove the exhaust valve flapper screw (3) and the exhaust valve keeper (4), and replace the exhaust valve flapper (5).
- 5) Replace the head gasket (15) and reverse the steps above for reassembly.



1 HEAD SCREWS

2 HEAD

3 EXHAUST VALVE FLAPPER SCREW

4 EXHAUST VALVE KEEPER

5 EXHAUST VALVE FLAPPER

6 VALVE PLATE

7 INTAKE VALVE KEEPER

8 INTAKE VALVE FLAPPER SCREW

9 VALVE PLATE SCREWS

10 DIAPHRAGM HOLD-DOWN SCREWS

11 INTAKE VALVE FLAPPER

12 DIAPHRAGM HOLD-DOWN PLATE

13 DIAPHRAGM

14 VACUUM PUMP

15 HEAD GASKET

<sup>16</sup> **CAUTION:** Depending on the product, the vacuum system may require the valve plate (6) to be rotated to an orientation different from the one shown. When removing the valve plate, always take note of its orientation in the pump head (2), and install the valve plate the same way during reassembly. In all cases, the valve plate must be oriented so that its intake hole is matched with the head port that connects to the check valve.

# VACUUM SWITCH ADJUSTMENT

## Vacuum Switch Function<sup>17</sup>

A vacuum switch controls the low vacuum warning light and the vacuum pump (see OPERATING FEATURES for location of vacuum switch): The valve handle activates the warning light and the pump, which evacuates the vacuum pads.<sup>18</sup> After the lifter attains a vacuum level sufficient for lifting the maximum load weight (hereafter, "minimum lifting level"), the vacuum switch automatically turns off the pump and the warning light.<sup>19</sup> In order to maintain sufficient vacuum, the vacuum switch automatically turns on the pump and warning light again before vacuum decreases to a level that is lower than the minimum lifting level.

## Conditions Requiring Readjustment

At the factory, the vacuum switch is set to maintain the minimum vacuum level specified for the Maximum Load Capacity (see SPECIFICATIONS). However, shipping vibrations or shocks, normal wear, or other conditions may adversely affect this adjustment. Periodically verify the switch adjustment by comparing how the vacuum pump and the low vacuum warning light function in relation to the vacuum level registered on the vacuum gauge, as follows:

- If the pump and the warning light do not *turn off after* vacuum increases to a level much *higher* than the minimum lifting level, the vacuum switch may be adjusted to maintain a lower vacuum level. Otherwise, the pump would continue to run unnecessarily after the lifter has attained sufficient vacuum to lift the maximum load weight.
- If the pump and the warning light do not *turn on before* vacuum decreases to a level *lower* than the minimum lifting level, the vacuum switch **must be adjusted to maintain a higher vacuum level**.<sup>20</sup> Otherwise, the lifter would not maintain sufficient vacuum to lift the maximum load weight.

---

<sup>17</sup> Lifters equipped with the Dual Vacuum System have 2 vacuum switches. Directions are the same for these lifters **except that each vacuum switch must be tested and adjusted individually**. When you are evaluating vacuum system functions under Conditions Requiring Readjustment, remember that each vacuum switch corresponds with one vacuum gauge and one vacuum circuit. After you have removed the cover from the enclosure with the vacuum switches, you can trace the vacuum lines to determine which components are connected to one another.

<sup>18</sup> If the warning light does not turn on when the valve handle is moved to the "apply" position, the light bulb may be burned out. Replace the bulb when necessary.

<sup>19</sup> When using the lifter at high elevations, reduced atmospheric pressure may prevent the vacuum generating system from attaining the vacuum level set at the factory. In this case, the pump would continue to run and the warning light would stay illuminated continuously. If the ability to lift the maximum load weight is not required, the operator can adjust the vacuum switch to maintain a lower vacuum level, allowing the pump to cycle normally. However, be advised that **lifting capacity decreases proportionally with decreasing vacuum**, based on the vacuum level specified for the Maximum Load Capacity (see SPECIFICATIONS). For example, if a lifter's Maximum Load Capacity is rated at 16" Hg [-54 kPa], lifting capacity decreases by 6.25% for each inch of Hg subtracted from (or for each 3.4 kPa added to) the vacuum level. **Always maintain a minimum vacuum level of 10" Hg [-34 kPa]**, regardless of the vacuum level specified for the original Load Capacity. In addition, lifter markings should be adjusted to reflect the revised Load Capacity and the vacuum gauge should be marked to indicate the revised minimum lifting level.

<sup>20</sup> In order to observe lifter functions while vacuum is decreasing, it may be necessary to create a controlled leak in the vacuum system (eg, by breaking the seal between one or more vacuum pads and the test surface).

## Adjustment Procedure



**WARNING: Lifting capacity decreases whenever vacuum switch is adjusted to maintain lower vacuum level.**

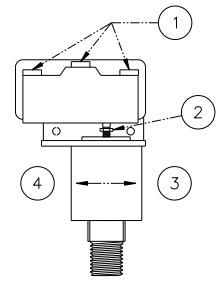
- 1) Using a 1/4" open-end wrench (as provided), turn the adjustment screw about 1/6th turn at a time (approximately one flat of the screw head).

To maintain a *lower* vacuum level, turn the screw *clockwise* (when viewing vacuum switch from end with electrical connectors).

To maintain a *higher* vacuum level, turn the screw *counter-clockwise* (when viewing vacuum switch from end with electrical connectors).

- 2) Recheck the vacuum switch setting following each 1/6th turn of the adjustment screw. In order to test the adjustment accurately, release the vacuum pads completely before reapplying them to a test surface.

When the vacuum switch is adjusted correctly, the vacuum pump turns off only *after* vacuum increases to a level higher than the minimum lifting level; and the pump turns on again *before* vacuum decreases to a level lower than the minimum lifting level.



- 1 ELECTRICAL CONNECTORS
- 2 ADJUSTMENT SCREW
- 3 TO MAINTAIN HIGHER VACUUM
- 4 TO MAINTAIN LOWER VACUUM

# REPLACEMENT PARTS LIST

Stock No.	Description	Qty.
93220	Vacuum Pump – Diaphragm Type – 1 SCFM – 12 V DC (Dynaflor)	1
93214	Vacuum Control Valve w/Handle and Fittings	1
66197AM	Dynaflor Pump Diaphragm Kit	1
66197	Dynaflor Pump Head Assembly	1
66195	Thomas Pump Repair Kit (including diaphragm, head gasket and valve flappers)	1
66130	Vacuum Pump – Diaphragm Type – 1 SCFM – 12 V DC (Thomas)	1
65440	Vacuum Hose – 1/4" ID	*
65211	Check Valve – 1/8 NPT	1
65010	Pad Spring – Coil Type	**
64752	Audio Alarm – 5-15 V DC – Panel Mount (for low vacuum warning buzzer, if applicable)	1
64707AU	Battery Charger – 240 V AC – Australian Type	1
64706EU	Battery Charger – 240 V AC	1
64702US	Battery Charger – 100 / 120 V AC	1
64664	Battery – 12 V DC – 7 Amp-Hours	1
64590	Battery Gauge	1
64460	Circuit Breaker – 15 A	1
64283	Bulb – 13 V – Bayonet (for low vacuum warning light)	1
64251	Red Indicator Light – 12 V DC (aka, low vacuum warning light)	1
64236	Vacuum Switch – 1/4 NPT	1
64230	Roller-Lever Switch	1
64200	Push-Button Switch (for battery test button)	1
54392NC	Battery Connector – Twin Lead	1
53132	Hose Fitting – Tee – 5/32" ID	**
53126	Pad Fitting – Tee – 3/64" ID	**
53120	Pad Fitting – Elbow – 3/64" ID	**
49614T	Vacuum Pad – Model HV11F / 10" [25 cm] Diameter – Lipped w/Foam Ring (option)	**
49605T	Vacuum Pad – Model HV11 / 10" [25 cm] Diameter – Lipped	**
49506TA	Vacuum Pad – Model VPFS9 / 9" [23 cm] Diameter	**
49122	End Plug – 2" x 2" x 1/4" Tubing Size	**
49110	End Plug – 2" x 2" x 3/16" Tubing Size	**
29353	Pad Cover	**
20270	1/4" Open-End Wrench (for adjusting vacuum switch)	1
16134	Filter Element Kit (for 1 oz bowl size air filter)	1
15910	Vacuum Gauge – 1/8 NPT – CBM Type	1
15794	Tilt Release Lever Handle	1
15792	Rotation Release Lever Knob	1
15632	Pad Filter Screen – Small (for VPFS9 pad)	**
15630	Pad Filter Screen – Large (for HV11 pads)	**
10900	Shoulder Bolt – Socket Head – 5/16" x 1/2" x 1/4-20 Thread (for mounting pads)	**

\* Length as required; vacuum hose sold by the foot (approx. 30.5 cm).

\*\* Quantity varies, depending on lifter model or options selected.

***SERVICE ONLY WITH IDENTICAL REPLACEMENT PARTS,  
AVAILABLE AT WPG.COM OR THROUGH AN AUTHORIZED WPG DEALER***

# LIMITED WARRANTY

---

Powr-Grip products are carefully constructed, thoroughly inspected at various stages of production, and individually tested. They are warranted to be free from defects in workmanship and materials for a period of one year from the date of purchase.

If a problem develops during the warranty period, follow the instructions hereafter to obtain warranty service. If inspection shows that the problem is due to defective workmanship or materials, Powr-Grip will repair the product without charge.

## **WARRANTY DOES NOT APPLY WHEN:**

Modifications have been made to the product after leaving the factory.

Rubber portions have been cut or scratched during use.

Repairs are required due to abnormal wear and tear.

The product has been damaged, misused or neglected.

If a problem is not covered under warranty, Powr-Grip will notify the customer of costs prior to repair. If the customer agrees to pay all repair costs and to receive the repaired product on a C.O.D. basis, Powr-Grip then will proceed with repairs.

## **TO OBTAIN REPAIRS OR WARRANTY SERVICE**

For purchases in *North America*:

Contact the Technical Service Department at Wood's Powr-Grip Co. When factory service is required, ship the complete product—prepaid—along with your name, address and phone number to the street address hereafter.

For purchases in *all other localities*:

Contact your dealer or the Technical Service Department at Wood's Powr-Grip Co. for assistance.

Wood's Powr-Grip Co., Inc.  
908 West Main St. / P.O. Box 368  
Laurel, MT USA 59044

phone 800-548-7341

phone 406-628-8231

fax 406-628-8354

TYPE: <b>STANDARD</b>		DIRECTORY: H:\Working\IS\TDV\705-DCP\UECN 3011	
WIRE LEGEND: CONTROLLED BY WIRING SYMBOLS DRAWING EXCEPT AS NOTED AND BELOW. LINE STYLES AND WIDTHS FOR WIRE UNLESS NOTED OTHERWISE. --- 14AWG --- --- 16AWG --- NOTE #1		FILE [SHEET]: <b>705-W01 [D-W01]</b>	
DRAWN: L. RENNER		DATE: 06/04/2003	
CHECKED: <i>CR</i>		DATE: 12-11-12	
APPROVED: <i>CLM</i>		DATE: 12-12-12	
SIZE: <b>A</b>		SCALE: <b>NONE</b>	REV.: <b>4</b>
ECN NUMBER: <b>3011</b>		DATE: <b>11/14/2012</b>	
BY: <b>RAS</b>		EST. WEIGHT: <b>N/A</b>	

NOTES:  
1) 16AWG OR 20AWG WIRE, BASED ON VACUUM PUMP USED.

1 SCFM DC VACUUM PACKAGE  
N/A  
PIEZOELECTRIC BUZZER WIRING DIAGRAM  
D705-W01 [D-W01]

THIS DRAWING IS THE PROPERTY OF **WOOD'S POWR-GRIP CO., INC.** LAUREL, MONTANA, U.S.A.  
IT IS LOANED WITH THE UNDERSTANDING THAT NEITHER IT NOR ANY INFORMATION CONTAINED THEREIN WILL BE COPIED, PUBLISHED OR TRANSMITTED TO OTHERS WITHOUT EXPRESS WRITTEN PERMISSION.

