

MANUAL ROTATOR / POWER TILTER 700

MODEL: MRPT411LAC3

Rotation and powered tilt capabilities, Intelli-Grip[®] Technology and thoughtful, ergonomic details converge in this AC-powered lifter ideal for production settings.

Articulating Control Handles

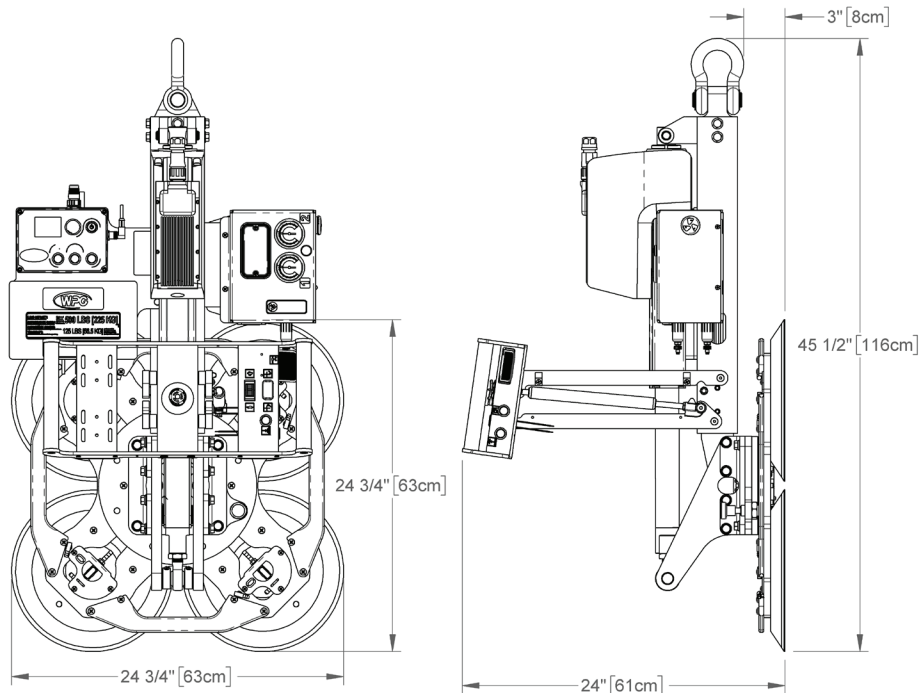
Keep an operator from having to adjust grip during the full range of tilt motion.

Tilt Speed Controller

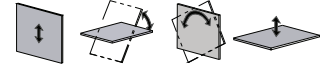
Provides an operator with an easy way to adjust the tilt rate of the pad frame.

Intelli-Grip[®] Technology

This WPG-exclusive technology oversees power and vacuum systems, increasing productivity and improving safety.



Model	MRPT411AC3
Maximum Load Capacity	700 lbs [320 kg]
Number / Size of Pads	4 / 11" [28 cm] nominal diameter, lipped (Model G3370)
Attach/ Release Time	3 seconds / 3 seconds
Load Movement	Manual rotation, 360° with 8 rotation stops (every 45°) Powered Tilt, 90° continuous with adjustable speed controller
Standard Operating Power	100-277 volts AC, 50/60 hertz, 7 amps @ 120VAC
Maximum Pad Spread	24-3/4" x 24-3/4" [63 cm x 63 cm]
Lifter Weight	150 lbs [68 kg]



STANDARD FEATURES

Intelli-Grip® Technology

Available exclusively from Powr-Grip®! Actively monitors power and vacuum systems to increase safety and productivity, using LCD-screen messages, diagnostic codes and other features

Articulating Control Handles

May be moved as desired to provide optimal control

Tilt Speed Controller

Provides the operator with precise control over the rate of tilting loads

Dual Vacuum System

Features two independent air-line circuits to reduce risk of workplace accidents

Notification Buzzer and Strobe Light

Alert operator of problems with power or vacuum system, with various patterns of sound and light to indicate severity; back-up battery provides independent power for buzzer

Vacuum Gauge

Features green and red zones to clearly indicate whether vacuum level is sufficient for lifting

Vacuum Line Filter

Protects the vacuum generating system from contaminants

Twist-Lock Electrical Plug

Provides a secure connection to the AC power source, to prevent accidental disconnection

Two-Action Blow-Off Release

Uses two separate buttons to avoid accidental release, and reverses airflow to quickly separate vacuum pads from loads, without after-stick

AVAILABLE OPTIONS

Voltage Adaptation

Enables lifters to operate using AC voltages best suited to specific uses and geographical areas

Alternative Pad Compounds

Specially designed for heat resistance, marking resistance, coated surfaces and other purposes

Alternative Pad Frame Dimensions and Configurations

Enable lifter to handle additional load sizes and shapes

DESIGN STANDARDS

ASME B30.20 (BTH-1 Design Category "B", Service Class "0"): Industry standards established by the American Society of Mechanical Engineers (ASME) and published by the American National Standards Institute (ANSI)

Based on product information at time of publication. Environmental conditions can affect product performance and longevity; consult the product instructions on WPG.com or contact a Technical Sales Representative for more information.