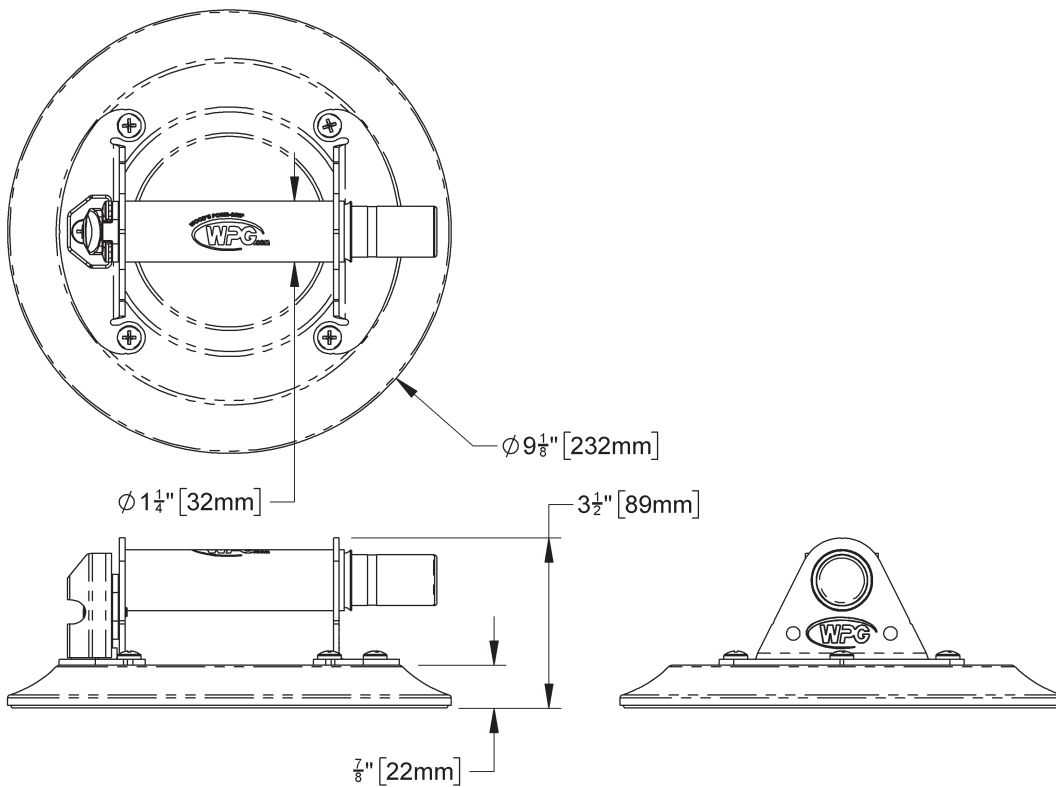




9" HAND CUP FOR FLAT SURFACES

MODEL: N5450
STOCK: 91700

This hand cup features a lifting capacity of 150 lbs [68 kg] and a rugged metal handle.



Maximum Load Capacity	150 lbs [68 kg]
Features	Durable metal handle Red-line indicator warns user of any significant vacuum loss Eligible for WPG Hand Cup Exchange Program Supplied with protective carrying case
Surface Texture	Smooth
Material Porosity	Nonporous
Allowable Surface Curvature	Flat
Maximum Elevation	5,000 ft [1,524 m]
Material and Ambient Temperature Range	10° F [-12° C] – 120° F [49° C]
Ideal Use	Smooth, Nonporous, Flat Surfaces
Nominal Pad Diameter	9" [23 cm]
Pad Model	G0725
Rubber Type	Standard
Handle Type	Metal
Based on product information at time of publication. Environmental conditions can affect product performance and longevity; consult the product instructions on WPG.com or contact a Technical Sales Representative for more information.	

