

LINEAR PAD FRAME

STOCK: 57952

By providing support along the length of the load surface and reducing load overhang, the long, narrow shape of this pad frame enables the operator to handle much longer loads than standard pad frames can accommodate.



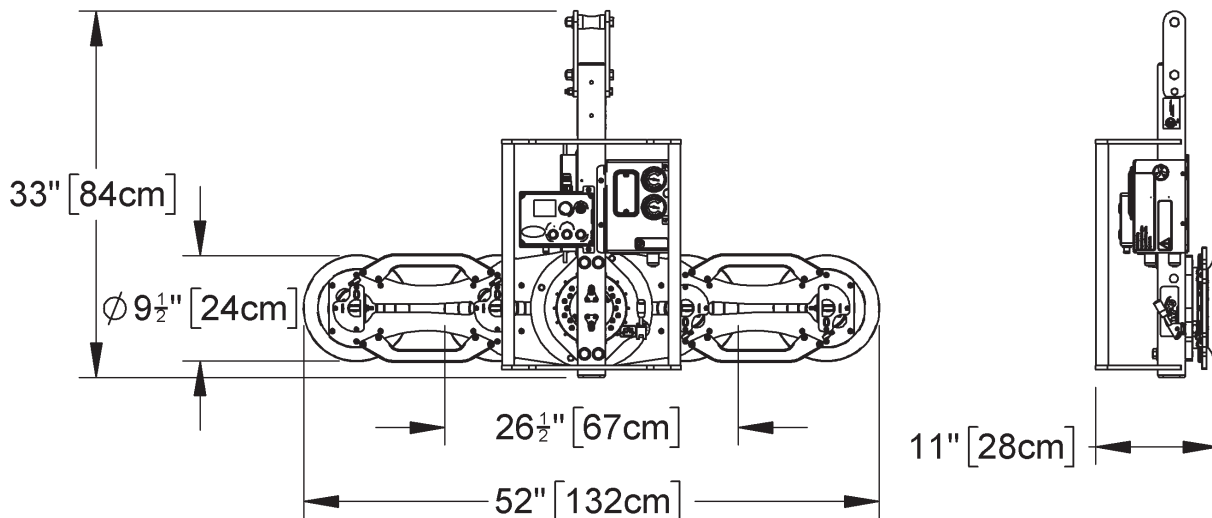
(Note: Product details may differ from photo.)

The Linear Pad Frame is available as a factory option for Powr-Grip[®] models MR4-AC3 and MR4-AIR. Please contact a Technical Sales Representative for additional information.

For a lifter equipped with the Linear Pad Frame, the Maximum Pad Spread is as follows:

With 9" [23 cm] diameter vacuum pads (VPFS9)	9-1/2" x 52" [24 cm X 132 cm]
With 11" [28 cm] diameter vacuum pads (G3370)	12" x 55" X [30 cm X 140 cm]

Note: By default, this option is equipped with 9" vacuum pads (model VPFS9). This reduces the lifter's Maximum Load Capacity to 500 lbs [225 kg].



Model MR49AC3 vacuum lifter shown equipped with Linear Pad Frame



Based on product information at time of publication.
Environmental conditions can affect product performance and longevity; consult the product instructions on WPG.com or contact a Technical Sales Representative for more information.